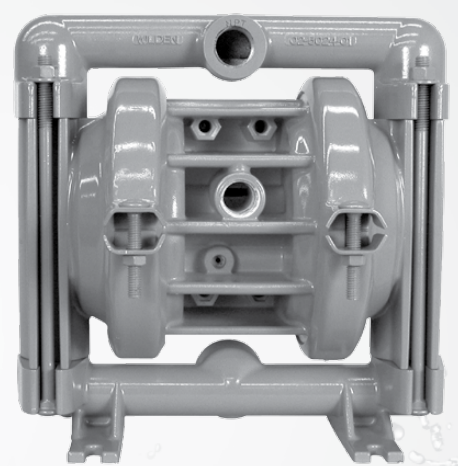


**WILDEN**<sup>®</sup>  
Part of Pump Solutions Group  
A **DOVER** COMPANY

**EOM**  
Engineering  
Operation &  
Maintenance

**P2**  
Original™ Series  
Metal Pump



*Where Innovation Flows*

[www.wildenpump.com](http://www.wildenpump.com)

**PRO-FLO**<sup>®</sup>  
PROGRESSIVE PUMP TECHNOLOGY



WIL-10181-E-05  
REPLACES WIL-10181-E-04

**TABLE OF CONTENTS**

**SECTION 1 CAUTIONS—READ FIRST! . . . . .1**

**SECTION 2 WILDEN PUMP DESIGNATION SYSTEM . . . . .2**

**SECTION 3 HOW IT WORKS—PUMP & AIR DISTRIBUTION SYSTEM . . . . .3**

**SECTION 4 DIMENSIONAL DRAWINGS . . . . .4**

**SECTION 5 PERFORMANCE**

    A. P2 Performance Curves

        Rubber-Fitted . . . . .5

        TPE-Fitted . . . . .5

        Reduced-Stroke PTFE-Fitted . . . . .6

        Full-Stroke PTFE-Fitted . . . . .6

    B. Suction-Lift Curves . . . . .7

**SECTION 6 SUGGESTED INSTALLATION, OPERATION & TROUBLESHOOTING . . . . .8**

**SECTION 7 ASSEMBLY / DISASSEMBLY . . . . .11**

    Air Valve/Center Section Assembly . . . . .13

    Reassembly Hints & Tips . . . . .15

**SECTION 8 EXPLODED VIEW & PARTS LISTING**


    P2 Metal. . . . .16


    P2 Metal Saniflo™ 1935/2004/EC. . . . .18

**SECTION 9 ELASTOMER OPTIONS. . . . .20**



## CAUTIONS—READ FIRST!

 **CAUTION:** Do not apply compressed air to the exhaust port — pump will not function.


 **CAUTION:** Do not over-lubricate air supply — excess lubrication will reduce pump performance. Pump is pre-lubed.


 **TEMPERATURE LIMITS:**


Polypropylene	0°C to 79°C	32°F to 175°F
PVDF	-12°C to 107°C	10°F to 225°F
PFA	7°C to 107°C	20°F to 225°F
Neoprene	-18°C to 93°C	0°F to 200°F
Buna-N	-12°C to 82°C	10°F to 180°F
EPDM	-51°C to 138°C	-60°F to 280°F
Viton <sup>®</sup> FKM	-40°C to 177°C	-40°F to 350°F
Wil-Flex <sup>™</sup>	-40°C to 107°C	-40°F to 225°F
Saniflex <sup>™</sup>	-29°C to 104°C	-20°F to 220°F
Polyurethane	-12°C to 66°C	10°F to 150°F
Polytetrafluoroethylene (PTFE) <sup>1</sup>	4°C to 104°C	40°F to 220°F
Nylon	-18°C to 93°C	0°F to 200°F
Acetal	-29°C to 82°C	-20°F to 180°F
SIPD PTFE with Neoprene-backed	4°C to 104°C	40°F to 220°F
SIPD PTFE with EPDM-backed	-10°C to 137°C	14°F to 280°F
Polyethylene	0°C to 70°C	32°F to 158°F
Geolast <sup>®</sup>	-40°C to 82°C	-40°F to 180°F


<sup>1</sup>4°C to 149°C (40°F to 300°F) - 13 mm (1/2") and 25 mm (1") models only.


NOTE: Not all materials are available for all models. Refer to Section 2 for material options for your pump.


 **CAUTION:** When choosing pump materials, be sure to check the temperature limits for all wetted components. Example: Viton<sup>®</sup> has a maximum limit of 178°C (350°F), but polypropylene has a maximum limit of only 79°C (175°F).


 **CAUTION:** Maximum temperature limits are based upon mechanical stress only. Certain chemicals will significantly reduce maximum safe operating temperatures. Consult Chemical Resistance Guide (E4) for chemical compatibility and temperature limits.


 **WARNING:** Prevention of static sparking — If static sparking occurs, fire or explosion could result. Pump, valves, and containers must be grounded to a proper grounding point when handling flammable fluids and whenever discharge of static electricity is a hazard.


 **CAUTION:** Do not exceed 8.6 bar (125 psig) air supply pressure.


 **CAUTION:** The process fluid and cleaning fluids must be chemically compatible with all wetted pump components. Consult Chemical Resistance Guide (E4).


 **CAUTION:** Pumps should be thoroughly flushed before installing into process lines. FDA- and USDA approved pumps should be cleaned and/or sanitized before being used.


 **CAUTION:** Always wear safety glasses when operating pump. If diaphragm rupture occurs, material being pumped may be forced out air exhaust.

 **CAUTION:** Before any maintenance or repair is attempted, the compressed air line to the pump should be disconnected and all air pressure allowed to bleed from pump. Disconnect all intake, discharge and air lines. Drain the pump by turning it upside down and allowing any fluid to flow into a suitable container.

 **CAUTION:** Blow out air line for 10 to 20 seconds before attaching to pump to make sure all pipeline debris is clear. Use an in-line air filter. A 5µ (micron) air filter is recommended.

 **NOTE:** When installing PTFE diaphragms, it is important to tighten outer pistons simultaneously (turning in opposite directions) to ensure tight fit. (See torque specifications in Section 7.)

 **NOTE:** Before starting disassembly, mark a line from each liquid chamber to its corresponding air chamber. This line will assist in proper alignment during reassembly.

 **CAUTION:** Tighten all hardware prior to installation.

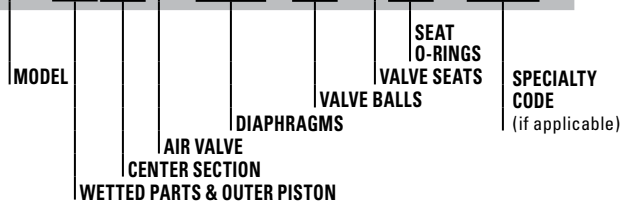
**WILDEN PUMP DESIGNATION SYSTEM**

**P2 METAL**

**25 mm (1") Pump**  
**Maximum Flow Rate:**  
**172 lpm (45.5 gpm)**

**LEGEND**

**PX / XXXXX / XXX / XX / XXX / 2XXX**



**MATERIAL CODES**

**MODEL**

P2 = 25 mm (1")

**WETTED PARTS & OUTER PISTON**

AA = ALUMINUM / ALUMINUM  
AZ = ALUMINUM / NO PISTON  
SS = STAINLESS STEEL / STAINLESS STEEL  
SZ = STAINLESS STEEL / NO PISTON

**CENTER SECTION**

PP = POLYPROPYLENE  
LL = ACETAL

**AIR VALVE**

P = POLYPROPYLENE  
L = ACETAL

**DIAPHRAGMS**

BNS = BUNA-N (Red Dot)  
EPS = EPDM (blue dot)  
FBS = SANITARY BUNA<sup>1,3</sup> (Two Yellow Dots)  
FES = SANITARY EPDM<sup>1,3</sup> (Two Blue Dots)  
FSS = SANIFLEX™ (Cream)  
FWL = SANITARY WIL-FLEX™ IPD<sup>1,3</sup>  
FWS = SANITARY WIL-FLEX™<sup>1,3</sup>  
LEL = PTFE – EPDM LAMINATE IPD<sup>1,2,3</sup>  
NES = NEOPRENE (Green Dot)  
PUS = POLYURETHANE (Clear)  
TEU = PTFE w/EPDM BACK-UP (White)<sup>1,2,3</sup>  
TNU = PTFE w/NEOPRENE BACK-UP (White)  
TSS = FULL-STROKE PTFE w/SANIFLEX™ BACK-UP<sup>1,2,3</sup>  
TSU = PTFE W/SANIFLEX™ BACK-UP (White)<sup>1,2,3</sup>  
TWS = FULL-STROKE PTFE w/WIL-FLEX™ BACK-UP<sup>1,2,3</sup>  
VTS = VITON® (Silver or White Dot)  
WFS = WIL-FLEX™ (Orange Dot)

**VALVE BALLS**

BN = BUNA-N (Red Dot)  
EP = EPDM (Blue Dot)  
FS = SANIFLEX™ (Cream)<sup>1,3</sup>  
NE = NEOPRENE (Green Dot)  
PU = POLYURETHANE (Clear)  
TF = PTFE<sup>1,2,3</sup>  
VT = VITON® (Silver or White Dot)  
WF = WIL-FLEX™ (Orange Dot)

**VALVE SEATS**

A = ALUMINUM  
S = STAINLESS STEEL

**VALVE SEAT O-RING**

BN = BUNA-N (Red Dot)  
EP = EPDM  
FS = SANIFLEX™ [HYLREL®] (Cream)<sup>1,3</sup>  
NE = NEOPRENE  
PU = POLYURETHANE (Clear)  
TF = PTFE (White)<sup>1,2,3</sup>  
WF = WIL-FLEX™<sup>1</sup>

**NOTE:**

<sup>1</sup>Meets Requirements of FDA CFR21.177  
<sup>2</sup>Meets Requirements of USP Class VI  
<sup>3</sup>Meets Requirements of 1935/2004/EC

**SPECIALTY CODES**

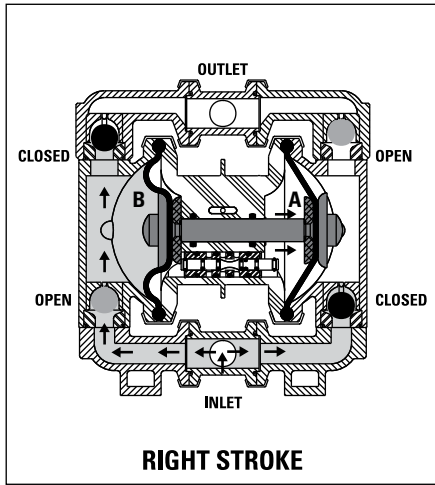
- 2000 NPT threaded
- 2014 BSPT threaded
- 2023 Wing Nuts
- 2070 Saniflo™ FDA
- 2079 Tri-clamp fittings, wing nuts
- 2080 Tri-clamp fittings only
- 2100 Wil-Gard 110V
- 2102 Wil-Gard sensor wires ONLY
- 2103 Wil-Gard 220V
- 2480 Pump Cycle Monitor (sensor & wires)
- 2483 Pump Cycle Monitor (module, sensor & wires)

2070E Saniflo™ FDA (1935/2004/EC)

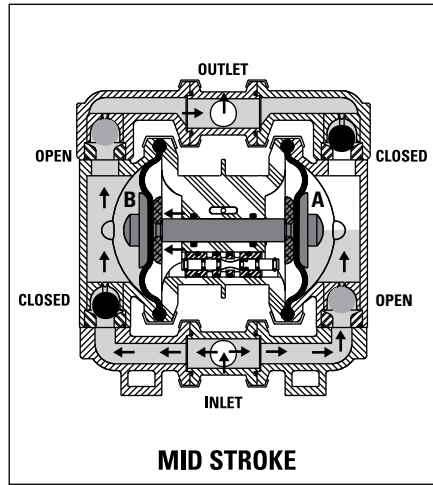
NOTE: Most elastomers use colored dots for identification. Not all models are available with all material options.

**HOW IT WORKS**

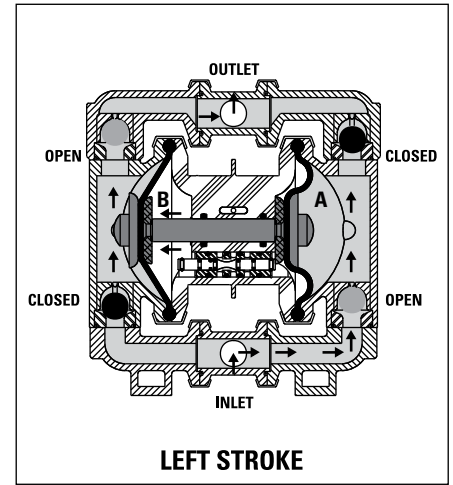
The Wilden diaphragm pump is an air-operated, positive displacement, self-priming pump. These drawings show the flow pattern through the pump upon its initial stroke. It is assumed the pump has no fluid in it prior to its initial stroke.



**FIGURE 1** The air valve directs pressurized air to the back side of diaphragm A. The compressed air is applied directly to the liquid column separated by elastomeric diaphragms. The diaphragm acts as a separation membrane between the compressed air and liquid, balancing the load and removing mechanical stress from the diaphragm. The compressed air moves the diaphragm away from the center block of the pump. The opposite diaphragm is pulled in by the shaft connected to the pressurized diaphragm. Diaphragm B is on its suction stroke; air behind the diaphragm has been forced out to the atmosphere through the exhaust port of the pump. The movement of diaphragm B toward the center block of the pump creates a vacuum within chamber B. Atmospheric pressure forces fluid into the inlet manifold forcing the inlet valve ball off its seat. Liquid is free to move past the inlet valve ball and fill the liquid chamber (see shaded area).

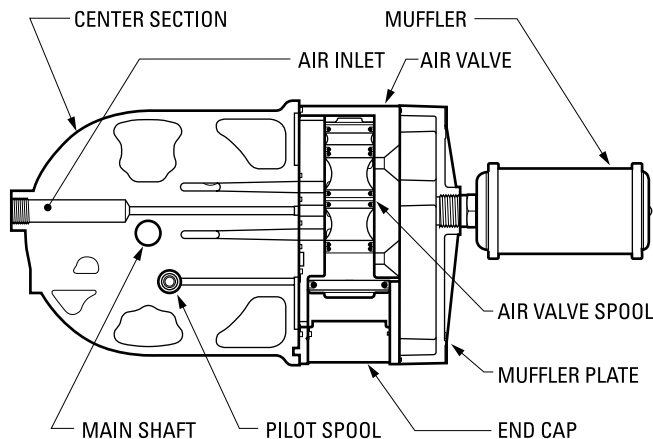


**FIGURE 2** When the pressurized diaphragm, diaphragm A, reaches the limit of its discharge stroke, the air valve redirects pressurized air to the back side of diaphragm B. The pressurized air forces diaphragm B away from the center block while pulling diaphragm A to the center block. Diaphragm B is now on its suction stroke. Diaphragm B forces the inlet valve ball onto its seat due to the hydraulic forces developed in the liquid chamber and manifold of the pump. These same hydraulic forces lift the discharge valve ball off its seat, while the opposite discharge valve ball is forced onto its seat, forcing fluid to flow through the pump discharge. The movement of diaphragm A toward the center block of the pump creates a vacuum within liquid chamber A. Atmospheric pressure forces fluid into the inlet manifold of the pump. The inlet valve ball is forced off its seat allowing the fluid being pumped to fill the liquid chamber.



**FIGURE 3** At completion of the stroke, the air valve again redirects air to the back side of diaphragm A, which starts diaphragm B on its exhaust stroke. As the pump reaches its original starting point, each diaphragm has gone through one exhaust and one discharge stroke. This constitutes one complete pumping cycle. The pump may take several cycles to completely prime depending on the conditions of the application.

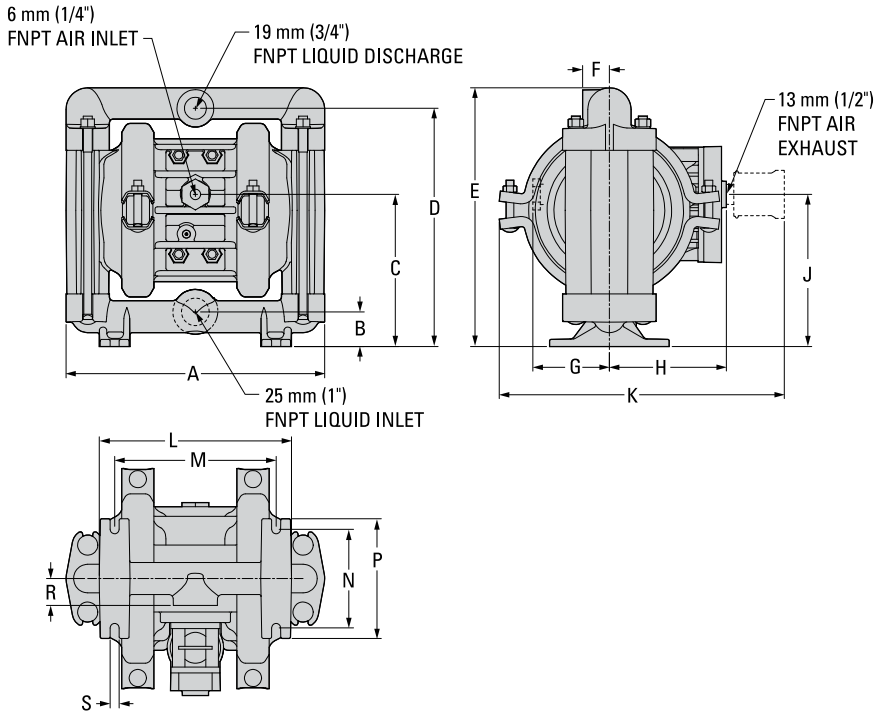
**HOW IT WORKS—AIR DISTRIBUTION SYSTEM**



The Pro-Flo® patented air distribution system incorporates two moving parts: the air valve spool and the pilot spool. The heart of the system is the air valve spool and air valve. This valve design incorporates an unbalanced spool. The smaller end of the spool is pressurized continuously, while the large end is alternately pressurized then exhausted to move the spool. The spool directs pressurized air to one air chamber while exhausting the other. The air causes the main shaft/diaphragm assembly to shift to one side — discharging liquid on that side and pulling liquid in on the other side. When the shaft reaches the end of its stroke, the inner piston actuates the pilot spool, which pressurizes and exhausts the large end of the air valve spool. The repositioning of the air valve spool routes the air to the other air chamber.

**DIMENSIONAL DRAWINGS**

**P2 METAL**

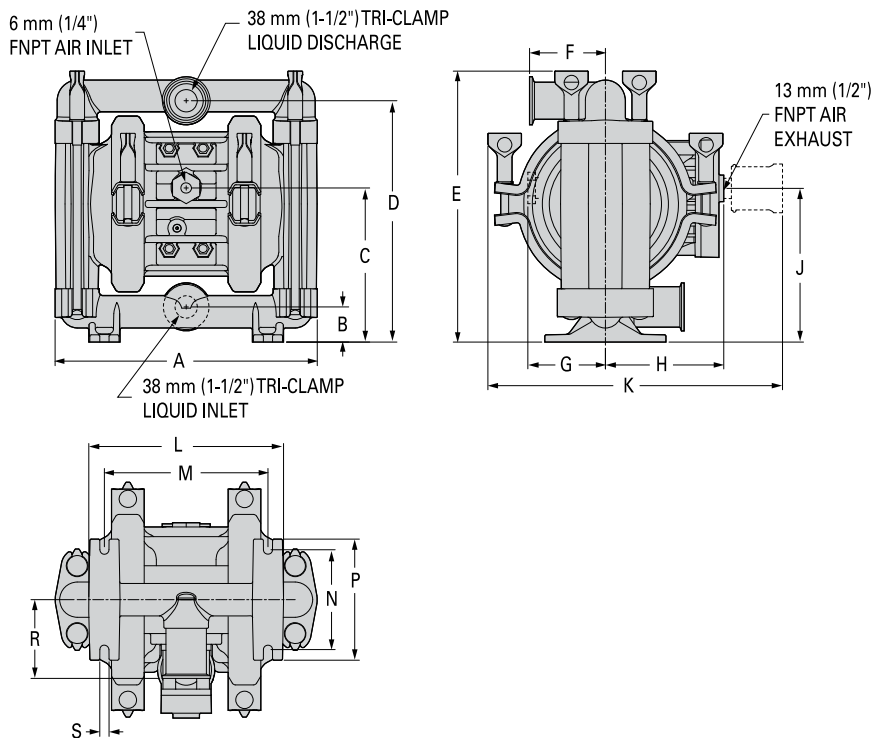


**DIMENSIONS**

ITEM	METRIC (mm)	STANDARD (inch)
A	274	10.8
B	38	1.5
C	163	6.4
D	254	10.0
E	274	10.8
F	28	1.1
G	81	3.2
H	124	4.9
J	163	6.4
K	302	11.9
L	203	8.0
M	173	6.8
N	104	4.1
P	127	5.0
R	28	1.1
S	10	0.4

REV. A

**P2 METAL SANIFLO™ FDA**



**DIMENSIONS**

ITEM	METRIC (mm)	STANDARD (inch)
A	274	10.8
B	38	1.5
C	163	6.4
D	254	10.0
E	284	11.2
F	79	3.1
G	81	3.2
H	124	4.9
J	160	6.3
K	310	12.2
L	203	8.0
M	173	6.8
N	104	4.1
P	127	5.0
R	84	3.3
S	10	0.4

REV. A

**PERFORMANCE**

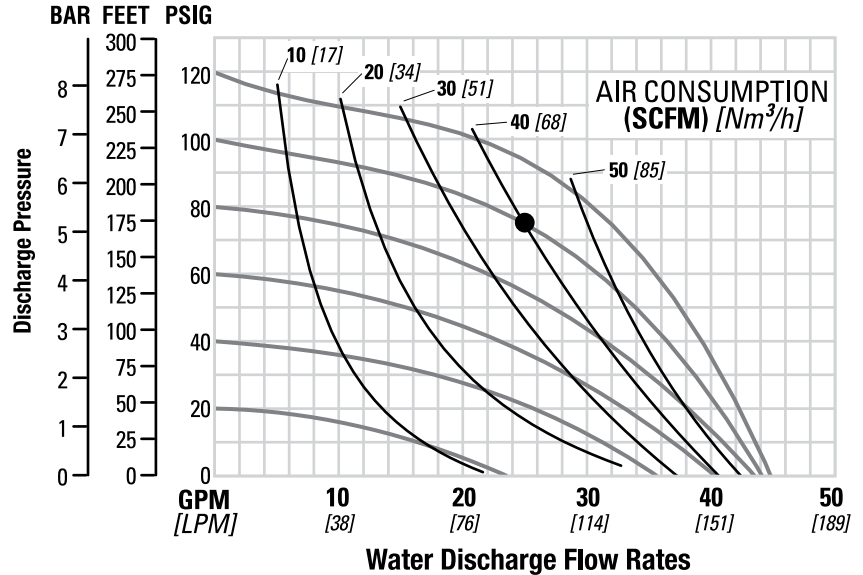
**P2 METAL  
RUBBER-FITTED**

Height..... 274 mm (10.8")  
 Width..... 274 mm (10.8")  
 Depth ..... 302 mm (11.9")  
 Ship Weight ..... Aluminum 9 kg (20 lb)  
                                 Stainless Steel 17 kg (37 lb)  
 Air Inlet..... 6 mm (1/4")  
 Inlet..... 25 mm (1")  
 Outlet ..... 19 mm (3/4")  
 Suction Lift ..... 5.2 m Dry (17.0')  
                                 9.0 m Wet (29.5')  
 Disp. per Stroke..... 0.3 L (0.08 gal)<sup>1</sup>  
 Max. Flow Rate..... 172 lpm (45.5 gpm)  
 Max. Size Solids ..... 3.2 mm (1/8")

<sup>1</sup>Displacement per stroke was calculated at 4.8 bar (70 psig) air inlet pressure against a 2.1 bar (30 psig) head pressure.

Example: To pump 95 lpm (25 gpm) against a discharge head of 5.2 bar (75 psig) requires 6.9 bar (100 psig) and 68 Nm<sup>3</sup>/h (40 scfm) air consumption. (See dot on chart.)

**CAUTION: Do not exceed 8.6 bar (125 psig) air supply pressure.**



Flow rates indicated on chart were determined by pumping water.

For optimum life and performance, pumps should be specified so that daily operation parameters will fall in the center of the pump's performance curve.

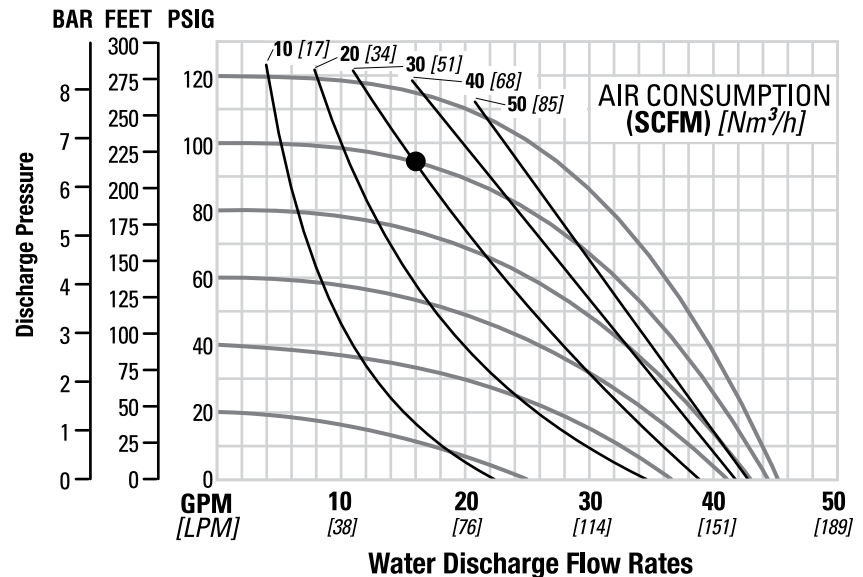
**P2 METAL  
TPE-FITTED**

Height..... 274 mm (10.8")  
 Width..... 274 mm (10.8")  
 Depth ..... 302 mm (11.9")  
 Ship Weight ..... Aluminum 9 kg (20 lb)  
                                 Stainless Steel 17 kg (37 lb)  
 Air Inlet..... 6 mm (1/4")  
 Inlet..... 25 mm (1")  
 Outlet ..... 19 mm (3/4")  
 Suction Lift ..... 7.6 m Dry (25.0')  
                                 9.0 m Wet (29.5')  
 Disp. per Stroke..... 0.3 L (0.08 gal)<sup>1</sup>  
 Max. Flow Rate..... 171 lpm (45.2 gpm)  
 Max. Size Solids ..... 3.2 mm (1/8")

<sup>1</sup>Displacement per stroke was calculated at 4.8 bar (70 psig) air inlet pressure against a 2.1 bar (30 psig) head pressure.

Example: To pump 61 lpm (16 gpm) against a discharge head of 6.6 bar (96 psig) requires 6.9 bar (100 psig) and 51 Nm<sup>3</sup>/h (30 scfm) air consumption. (See dot on chart.)

**CAUTION: Do not exceed 8.6 bar (125 psig) air supply pressure.**



Flow rates indicated on chart were determined by pumping water.

For optimum life and performance, pumps should be specified so that daily operation parameters will fall in the center of the pump's performance curve.

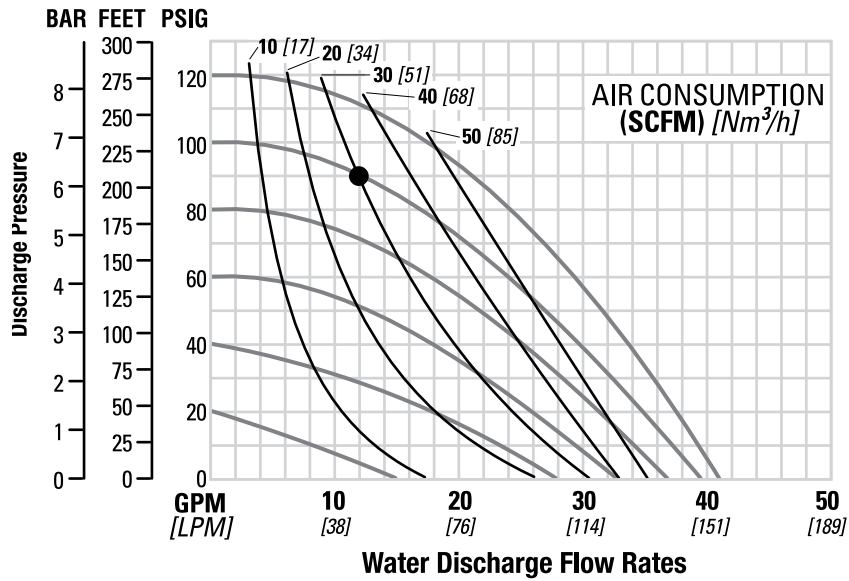
**P2 METAL  
REDUCED STROKE PTFE-FITTED**

Height..... 274 mm (10.8")  
Width..... 274 mm (10.8")  
Depth ..... 302 mm (11.9")  
Ship Weight ..... Aluminum 9 kg (20 lb)  
  Stainless Steel 17 kg (37 lb)  
Air Inlet..... 6 mm (1/4")  
Inlet..... 25 mm (1")  
Outlet ..... 19 mm (3/4")  
Suction Lift ..... 2.8 m Dry (9.1')  
  9.0 m Wet (29.5')  
Disp. per Stroke..... 0.3 L (0.08 gal)<sup>1</sup>  
Max. Flow Rate..... 155 lpm (41.0 gpm)  
Max. Size Solids ..... 3.2 mm (1/8")

<sup>1</sup>Displacement per stroke was calculated at 4.8 bar (70 psig) air inlet pressure against a 2.1 bar (30 psig) head pressure.

Example: To pump 45 lpm (12 gpm) against a discharge head of 6.2 bar (90 psig) requires 6.9 bar (100 psig) and 51 Nm<sup>3</sup>/h (30 scfm) air consumption. (See dot on chart.)

**CAUTION: Do not exceed 8.6 bar (125 psig) air supply pressure.**



Flow rates indicated on chart were determined by pumping water.

For optimum life and performance, pumps should be specified so that daily operation parameters will fall in the center of the pump's performance curve.

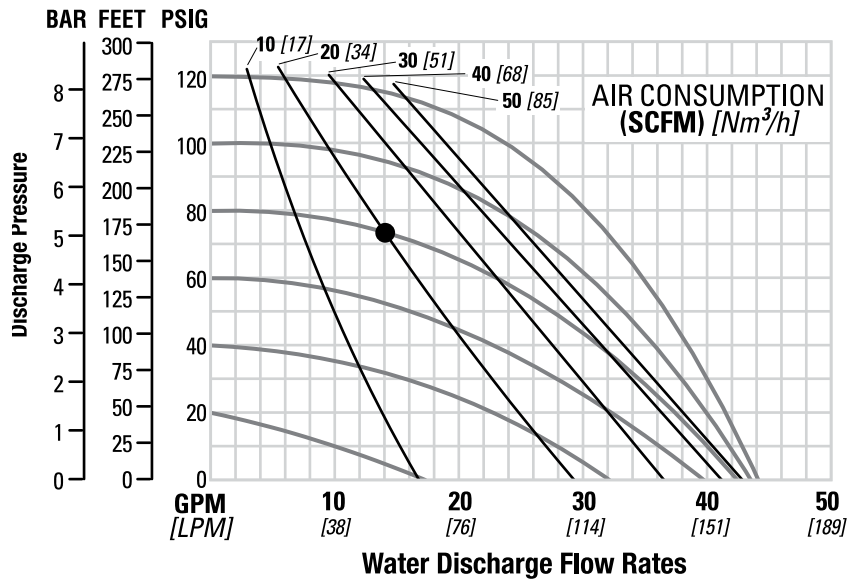
**P2 METAL  
FULL STROKE PTFE-FITTED**

Height..... 274 mm (10.8")  
Width..... 274 mm (10.8")  
Depth ..... 302 mm (11.9")  
Ship Weight ..... Aluminum 9 kg (20 lb)  
  Stainless Steel 17 kg (37 lb)  
Air Inlet..... 6 mm (1/4")  
Inlet..... 25 mm (1")  
Outlet ..... 19 mm (3/4")  
Suction Lift ..... 4.7 m Dry (15.3')  
  9.0 m Wet (29.5')  
Disp. per Stroke..... 0.3 L (0.08 gal)<sup>1</sup>  
Max. Flow Rate..... 167 lpm (44.1 gpm)  
Max. Size Solids ..... 3.2 mm (1/8")

<sup>1</sup>Displacement per stroke was calculated at 4.8 bar (70 psig) air inlet pressure against a 2.1 bar (30 psig) head pressure.

Example: To pump 53 lpm (14 gpm) against a discharge head of 5.0 bar (72 psig) requires 5.5 bar (80 psig) and 34 Nm<sup>3</sup>/h (20 scfm) air consumption. (See dot on chart.)

**CAUTION: Do not exceed 8.6 bar (125 psig) air supply pressure.**



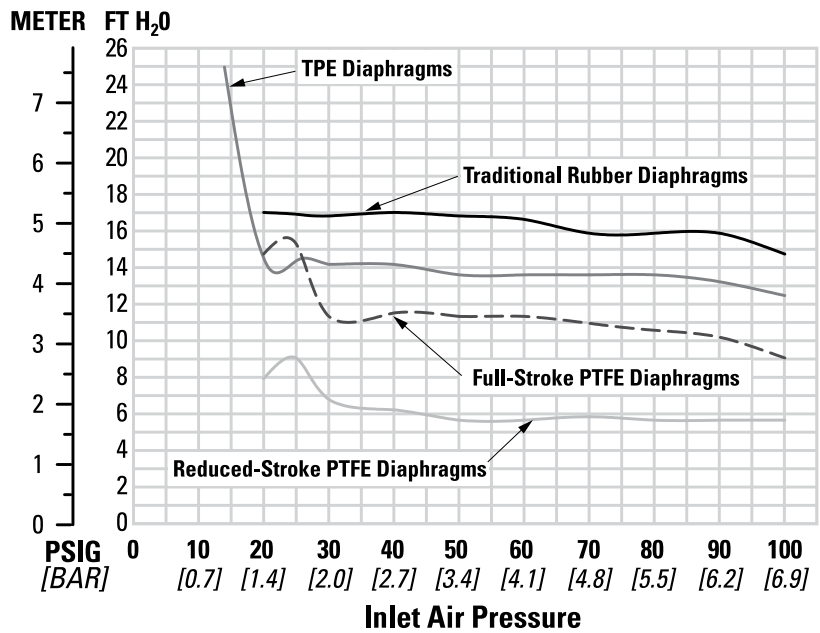
Flow rates indicated on chart were determined by pumping water.

For optimum life and performance, pumps should be specified so that daily operation parameters will fall in the center of the pump's performance curve.



**SUCTION-LIFT CURVE**

**P2 METAL**



Suction-lift curves are calibrated for pumps operating at 305 m (1,000') above sea level. This chart is meant to be a guide only. There are many variables that can affect your pump's operating characteristics. The number of intake

and discharge elbows, viscosity of pumping fluid, elevation (atmospheric pressure) and pipe friction loss all affect the amount of suction lift your pump will attain.

## SUGGESTED INSTALLATION

Wilden pumps are designed to meet the performance requirements of even the most demanding pumping applications. They have been designed and manufactured to the highest standards and are available in a variety of liquid path materials to meet your chemical resistance needs. Refer to the performance section of this manual for an in-depth analysis of the performance characteristics of your pump. Wilden offers the widest variety of elastomer options in the industry to satisfy temperature, chemical compatibility, abrasion resistance and flex concerns.

The suction pipe size should be at least the equivalent or larger than the diameter size of the suction inlet on your Wilden pump. The suction hose must be non-collapsible, reinforced type as these pumps are capable of pulling a high vacuum. Discharge piping should also be the equivalent or larger than the diameter of the pump discharge which will help reduce friction losses. It is critical that all fittings and connections are airtight or a reduction or loss of pump suction capability will result.

**INSTALLATION:** Months of careful planning, study, and selection efforts can result in unsatisfactory pump performance if installation details are left to chance.

Premature failure and long-term dissatisfaction can be avoided if reasonable care is exercised throughout the installation process.

**LOCATION:** Noise, safety and other logistical factors usually dictate where equipment will be situated on the production floor. Multiple installations with conflicting requirements can result in congestion of utility areas, leaving few choices for additional pumps.

Within the framework of these and other existing conditions, every pump should be located in such a way that the following key factors are balanced against each other to maximum advantage.

**ACCESS:** First of all, the location should be accessible. If it's easy to reach the pump, maintenance personnel will have an easier time carrying out routine inspections and adjustments. Should major repairs become necessary, ease of access can play a key role in speeding the repair process and reducing total downtime.

**AIR SUPPLY:** Every pump location should have an air line large enough to supply the volume of air necessary to achieve the desired pumping rate. Use air pressure up to a maximum of 8.6 bar (125 psig) depending on pumping requirements.

For best results, the pumps should use a 5 $\mu$  (micron) air filter, needle valve and regulator. The use of an air filter before the pump will ensure that the majority of any pipeline contaminants will be eliminated.

**SOLENOID OPERATION:** When operation is controlled by a solenoid valve in the air line, three-way valves should be used. This valve allows trapped air between the valve and the pump to bleed off which improves pump performance. Pumping volume can be estimated by counting the number of strokes per minute and then multiplying the figure by the displacement per stroke.

**MUFFLER:** Sound levels are reduced below OSHA specifications using the standard Wilden muffler. Other mufflers can be used to further reduce sound levels, but they usually reduce pump performance.

**ELEVATION:** Selecting a site that is well within the pump's dynamic lift capability will assure that loss-of-prime issues will be eliminated. In addition, pump efficiency can be adversely affected if proper attention is not given to site location.

**PIPING:** Final determination of the pump site should not be made until the piping challenges of each possible location have been evaluated. The impact of current and future installations should be considered ahead of time to make sure that inadvertent restrictions are not created for any remaining sites.

The best choice possible will be a site involving the shortest and straightest hook-up of suction and discharge piping. Unnecessary elbows, bends, and fittings should be avoided. Pipe sizes should be selected to keep friction losses within practical limits. All piping should be supported independently of the pump. In addition, the piping should be aligned to avoid placing stress on the pump fittings.

Flexible hose can be installed to aid in absorbing the forces created by the natural reciprocating action of the pump. If the pump is to be bolted down to a solid location, a mounting pad placed between the pump and the foundation will assist in minimizing pump vibration. Flexible connections between the pump and rigid piping will also assist in minimizing pump vibration. If quick-closing valves are installed at any point in the discharge system, or if pulsation within a system becomes a problem, a surge suppressor (SD Equalizer®) should be installed to protect the pump, piping and gauges from surges and water hammer.

If the pump is to be used in a self-priming application, make sure that all connections are airtight and that the suction lift is within the model's ability. **NOTE:** Materials of construction and elastomer material have an effect on suction lift parameters. Please refer to the performance section for specifics.

When pumps are installed in applications involving flooded suction or suction head pressures, a gate valve should be installed in the suction line to permit closing of the line for pump service.

Pumps in service with a positive suction head are most efficient when inlet pressure is limited to 0.5–0.7 bar (7–10 psig). Premature diaphragm failure may occur if positive suction is 0.7 bar (10 psig) and higher.

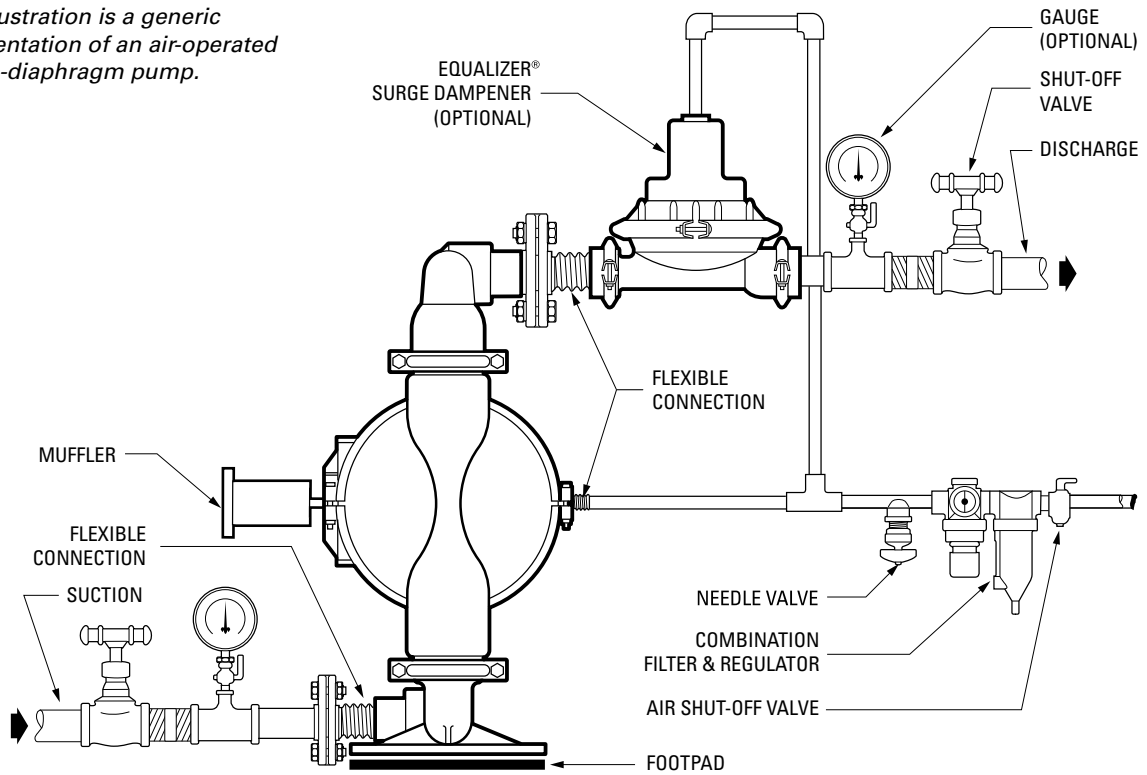
**NOTE:** Pro-Flo® and Accu-Flo™ pumps are not submersible.

**ALL WILDEN PUMPS ARE CAPABLE OF PASSING SOLIDS. A STRAINER SHOULD BE USED ON THE PUMP INTAKE TO ENSURE THAT THE PUMP'S RATED SOLIDS CAPACITY IS NOT EXCEEDED.**

**CAUTION:** Do not EXCEED 8.6 BAR (125 PSIG) AIR SUPPLY PRESSURE.

**SUGGESTED INSTALLATION**

*This illustration is a generic representation of an air-operated double-diaphragm pump.*



**NOTE:** In the event of a power failure, the shut-off valve should be closed, if the restarting of the pump is not desirable once power is regained.

**AIR-OPERATED PUMPS:** To stop the pump from operating in an emergency situation, simply close the

shut-off valve (user-supplied) installed in the air supply line. A properly functioning valve will stop the air supply to the pump, therefore stopping output. This shut-off valve should be located far enough away from the pumping equipment such that it can be reached safely in an emergency situation.

## SUGGESTED OPERATION & MAINTENANCE

**OPERATION:** Pro-Flo® pumps are pre-lubricated, and do not require in-line lubrication. Additional lubrication will not damage the pump, however if the pump is heavily lubricated by an external source, the pump's internal lubrication may be washed away. If the pump is then moved to a non-lubricated location, it may need to be disassembled and re-lubricated as described in the ASSEMBLY/DISASSEMBLY INSTRUCTIONS.

Pump discharge rate can be controlled by limiting the volume and/or pressure of the air supply to the pump. A regulator is used to control air pressure while a needle valve is used to control volume. Pump discharge rate can also be controlled by throttling the pump discharge by partially closing a valve in the discharge line of the pump. This action increases friction loss which reduces flow rate. (See Section 5.) This is useful when the need exists to control the pump from a remote location. When the pump discharge pressure equals or exceeds the air supply pressure, the pump will stop; no bypass or pressure relief valve is needed, and pump damage will not occur. The pump has reached a "deadhead" situation and can be restarted by reducing the fluid discharge pressure or increasing the air inlet pressure.

Wilden Pro-Flo® pumps run solely on compressed air and do not generate heat, therefore your process fluid temperature will not be affected.

**MAINTENANCE AND INSPECTIONS:** Since each application is unique, maintenance schedules may be different for every pump. Frequency of use, line pressure, viscosity and abrasiveness of process fluid all affect the parts life of a Wilden pump. Periodic inspections have been found to offer the best means for preventing unscheduled pump downtime. Personnel familiar with the pump's construction and service should be informed of any abnormalities that are detected during operation.

**RECORDS:** When service is required, a record should be made of all necessary repairs and replacements. Over a period of time, such records can become a valuable tool for predicting and preventing future maintenance problems and unscheduled downtime. In addition, accurate records make it possible to identify pumps that are poorly suited to their applications.

## TROUBLESHOOTING

### ***Pump will not run or runs slowly.***

1. Ensure that the air inlet pressure is at least 0.3 bar (5 psig) above startup pressure and that the differential pressure (the difference between air inlet and liquid discharge pressures) is not less than 0.7 bar (10 psig).
2. Check air inlet filter for debris (see SUGGESTED INSTALLATION).
3. Check for extreme air leakage (blow by) which would indicate worn seals/bores in the air valve, pilot spool and main shaft.
4. Disassemble pump and check for obstructions in the air passageways or objects which would obstruct the movement of internal parts.
5. Check for sticking ball check valves. If material being pumped is not compatible with pump elastomers, swelling may occur. Replace ball check valves and seals with proper elastomers. Also, as the check valve balls wear out, they become smaller and can become stuck in the seats. In this case, replace balls and seats.
6. Check for broken inner piston which will cause the air valve spool to be unable to shift.
7. Remove plug from pilot spool exhaust.

### ***Pump runs but little or no product flows.***

1. Check for pump cavitation; slow pump speed down to allow thick material to flow into liquid chambers.

2. Verify that vacuum required to lift liquid is not greater than the vapor pressure of the material being pumped (cavitation).
3. Check for sticking ball check valves. If material being pumped is not compatible with pump elastomers, swelling may occur. Replace ball check valves and seats with proper elastomers. Also, as the check valve balls wear out, they become smaller and can become stuck in the seats. In this case, replace balls and seats.

### ***Pump air valve freezes.***

1. Check for excessive moisture in compressed air. Either install a dryer or hot air generator for compressed air. Alternatively, a coalescing filter may be used to remove the water from the compressed air in some applications.

### ***Air bubbles in pump discharge.***

1. Check for ruptured diaphragm.
2. Check tightness of outer pistons (refer to Section 7).
3. Check tightness of fasteners and integrity of O-rings and seals, especially at intake manifold.
4. Ensure pipe connections are airtight.

### ***Product comes out air exhaust.***

1. Check for diaphragm rupture.
2. Check tightness of outer pistons to shaft.

## PUMP DISASSEMBLY

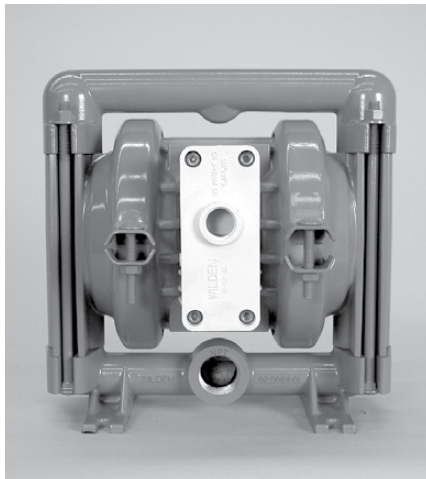
## P2 METAL

## TOOLS REQUIRED:

- 1/2" Box Wrench
- 9/16" Wrench
- Adjustable Wrench
- Vise equipped with soft jaws (such as plywood, plastic or other suitable material)

**CAUTION:** Before any maintenance or repair is attempted, the compressed air line to the pump should be disconnected and all air pressure allowed to bleed from the pump. Disconnect all intake, discharge and air lines. Drain the pump by turning it upside down and allowing any fluid to flow into a suitable container. Be aware of any hazardous effects of contact with your process fluid.

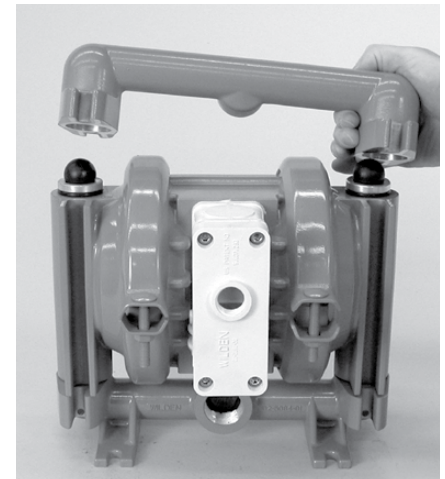
**NOTE:** The model photographed for these instructions is a Pro-Flo<sup>®</sup> version and incorporates rubber diaphragms, balls and seats.

**Step 1**

Prior to disassembly, alignment marks should be placed on the liquid chambers and air chamber to assist with proper alignment during reassembly.

**Step 2**

Using a 9/16" box wrench, remove the nuts that connect the inlet and discharge manifolds to the center section assembly.

**Step 3**

Next, remove the discharge manifold from the pump.



**Step 4**

Remove the discharge valve ball, valve seat and valve seat O-ring and inspect for signs of wear and replace, if necessary.



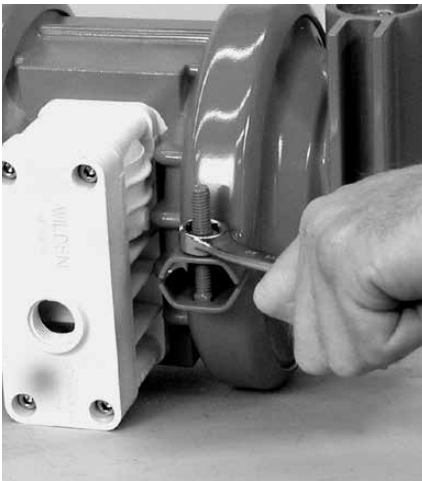
**Step 5**

Now the center section assembly can be removed from the inlet manifold.



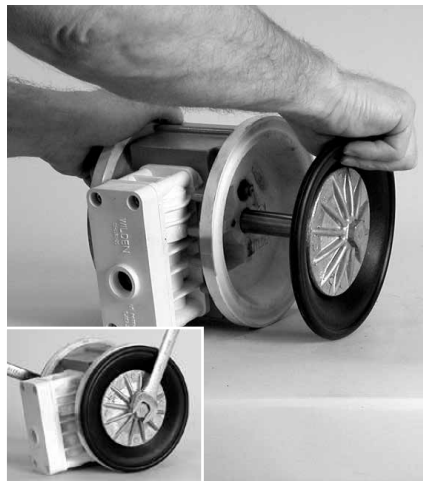
**Step 6**

Remove the inlet valve ball, valve seat and valve seat O-ring and inspect for signs of wear and/or chemical attack. Replace, if necessary.



**Step 7**

Using a 1/2" box end wrench, remove the large clamp bands. With the clamp bands removed, lift the liquid chamber away from the center section.



**Step 8**

Using an 3/4" wrench or rotating the diaphragm by hand, remove the diaphragm assembly from the center section.



**Step 9**

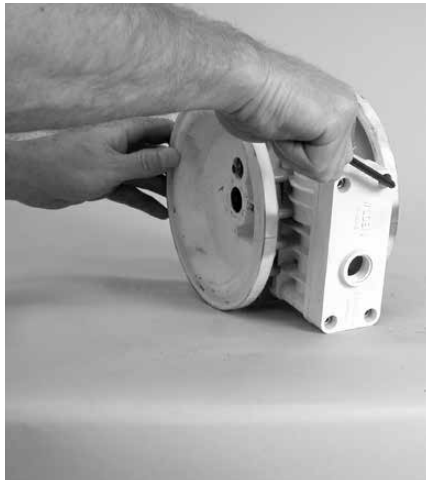
To remove the diaphragm assembly from the shaft, secure shaft with soft jaws (a vise fitted with plywood or other suitable material) to ensure shaft is not nicked, scratched, or gouged. Using an adjustable wrench, remove the diaphragm assembly from shaft. Inspect all parts for wear and replace with genuine Wilden parts, if necessary.

## AIR VALVE/CENTER SECTION DISASSEMBLY

### TOOLS REQUIRED:

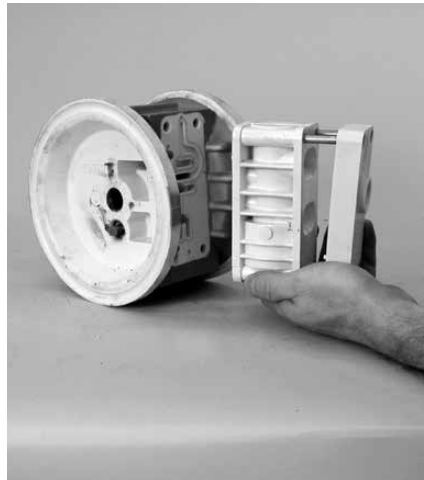
- 3/16" Hex Head Wrench
- 7/32" Hex Head Wrench
- Snap-Ring Pliers
- O-Ring Pick

**CAUTION:** Before any maintenance or repair is attempted, the compressed air line to the pump should be disconnected and all air pressure allowed to bleed from the pump. Disconnect all intake, discharge and air lines. Drain the pump by turning it upside down and allowing any fluid to flow into a suitable container. Be aware of any hazardous effects of contact with your process fluid.



### Step 1

Using a 3/16" hex head wrench, loosen the air valve bolts.



### Step 2

Remove the air valve and muffler plate from the center section.



### Step 3

Remove air valve end cap to expose air valve spool. NOTE: The end cap cannot be removed until removing air valve bolts.

## AIR VALVE/CENTER SECTION DISASSEMBLY



### Step 4

Remove air valve spool from air valve body by threading one air valve bolt into the end of the spool and gently sliding the spool out of the air valve body. Inspect seals for signs of wear and replace entire assembly if necessary. Use caution when handling air valve spool to prevent damaging seals. NOTE: Seals should not be removed from assembly. Seals are not sold separately.



### Step 5

Remove pilot spool retaining snap ring on both sides of center section with snap-ring pliers.



### Step 6

Remove pilot spool assembly from center section.



### Step 7

Using an O-ring pick, gently remove the pilot spool retaining O-ring from the opposite side of the notched end of the spool. Gently remove the pilot spool from pilot spool sleeve and inspect for nicks, gouges and other signs of wear.

Replace pilot spool assembly or outer sleeve O-rings if necessary. During re-assembly never insert the pilot spool into the sleeve with the "notched" end side first, this end incorporates the urethane O-ring and will be damaged as it slides over the ports cut in the pilot spool sleeve.



## REASSEMBLY HINT & TIPS

### ASSEMBLY:

Upon performing applicable maintenance to the air distribution system, the pump can now be reassembled. Please refer to the disassembly instructions for photos and parts placement. To reassemble the pump, follow the disassembly instructions in reverse order. The air distribution system needs to be assembled first, then the diaphragms and finally the wetted path. Please find the applicable torque specifications on this page. The following tips will assist in the assembly process.

- Clean the inside of the center section shaft bore to ensure no damage is done to new seals.
- Stainless bolts should be lubed to reduce the possibility of seizing during tightening.

- Level the water chamber side of the intake/discharge manifold to ensure a proper sealing surface. This is most easily accomplished by placing them on a flat surface prior to tightening their clamp bands to the desired torque (see below for Torque Specifications).
- Be sure to tighten outer pistons simultaneously on PTFE-fitted pumps to ensure proper torque values.
- Ensure proper mating of liquid chambers to manifolds prior to tightening vertical bolts. Overhang should be equal on both sides.
- Apply a small amount of Loctite 242 to the shaft interval threads before the diaphragm assembly.
- Concave side of disc spring in diaphragm assembly faces **toward** shaft.

### PRO-FLO<sup>®</sup> MAXIMUM TORQUE SPECIFICATIONS

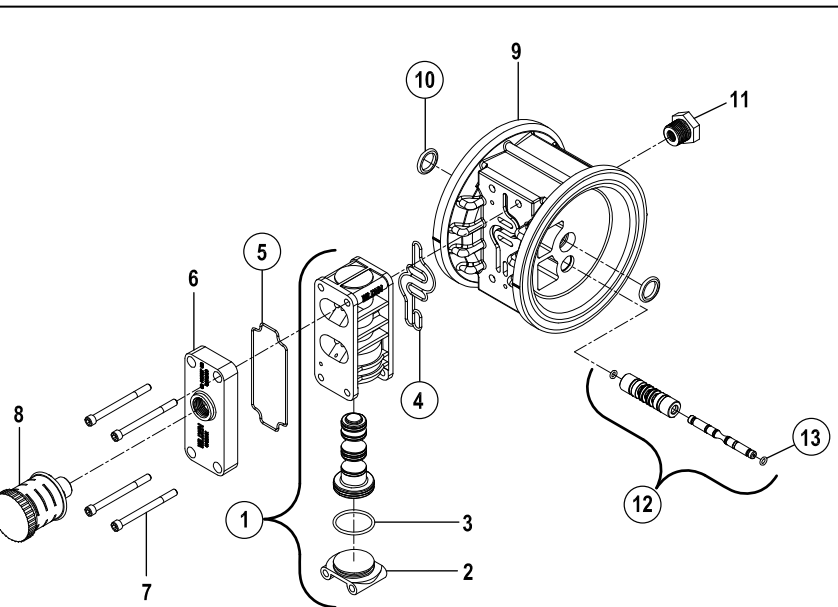
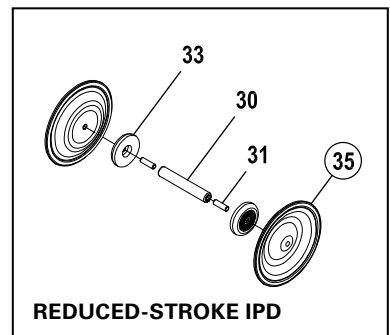
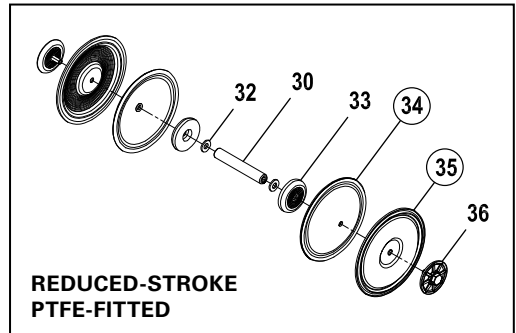
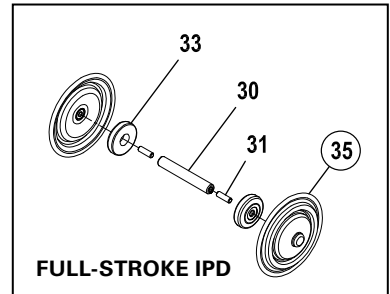
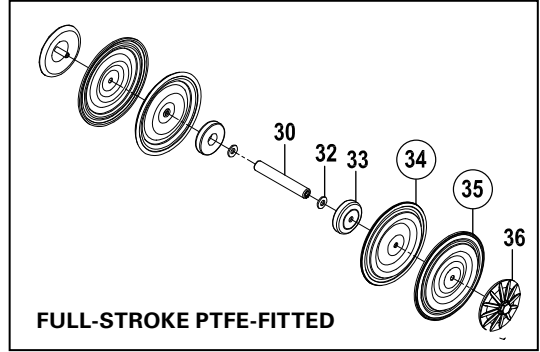
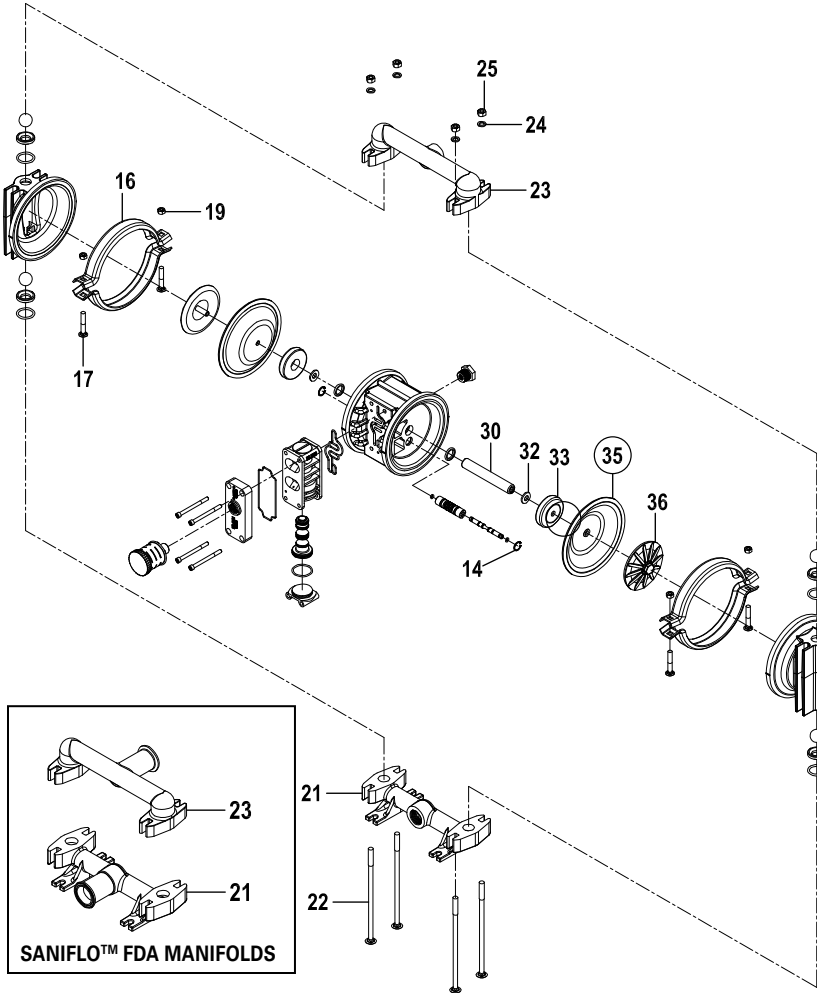
Description of Part	Max. Torque
Air Valve, Pro-Flo	3.1 N.m (27 in-lb)
Air Inlet, Reducer Bushing	10.9 N.m (8 ft-lb)
Outer Piston, Rubber and PTFE-fitted	40.7 N.m (30 ft-lb)
Vertical Bolts	31.1 N.m (23 ft-lb)

EXPLODED VIEW & PARTS LISTING

P2 METAL

RUBBER/TPE-FITTED

EXPLODED VIEW



**EXPLODED VIEW & PARTS LISTING**

**P2 METAL**

**RUBBER/TPE-FITTED**

**PARTS LISTING**

Item	Description	Qty	P2/AXPPP P/N	P2/SXPPP P/N	P2/SXPPP/2070 P/N	P2/AXLLL P/N	P2/SXLLL P/N	P2/SXLLL/2070 P/N
<b>AIR DISTRIBUTION COMPONENTS</b>								
1	<b>Air Valve, Pro-Flo™ Assembly<sup>1</sup></b>	1	<b>01-2010-20</b>	<b>01-2010-20</b>	<b>01-2010-20</b>	<b>01-2010-13</b>	<b>01-2010-13</b>	<b>01-2010-13</b>
2	End Cap, Pro-Flo™	1	01-2332-20	01-2332-20	01-2332-20	01-2332-13	01-2332-13	01-2332-13
3	O-Ring, End Cap (-126) (Æ1.362 X Æ.103)	1	01-2395-52	01-2395-52	01-2395-52	01-2395-52	01-2395-52	01-2395-52
4	<b>Gasket, Air Valve, Pro-Flo™</b>	1	<b>01-2615-52</b>	<b>01-2615-52</b>	<b>01-2615-52</b>	<b>01-2615-52</b>	<b>01-2615-52</b>	<b>01-2615-52</b>
5	<b>Gasket, Muffler Plate, Pro-Flo™</b>	1	<b>01-3505-52</b>	<b>01-3505-52</b>	<b>01-3505-52</b>	<b>01-3505-52</b>	<b>01-3505-52</b>	<b>01-3505-52</b>
6	Muffler Plate, Pro-Flo™	1	01-3181-20	01-3181-20	01-3181-20	01-3181-13	01-3181-13	01-3181-13
7	Screw, SHC, 1/4" -20 X 3"	4	01-6001-03	01-6001-03	01-6001-03	01-6001-03	01-6001-03	01-6001-03
8	Muffler	1	02-3510-99	02-3510-99	02-3510-99	02-3510-99	02-3510-99	02-3510-99
9	Center Section Assembly, Pro-Flo™ <sup>2</sup>	1	02-3145-20	02-3145-20	02-3145-20	02-3145-13	02-3145-13	02-3145-13
10	<b>Shaft Seal</b>	2	<b>02-3210-55-225</b>	<b>02-3210-55-225</b>	<b>02-3210-55-225</b>	<b>02-3210-55-225</b>	<b>02-3210-55-225</b>	<b>02-3210-55-225</b>
11	Bushing, Reducer	1	01-6950-20	01-6950-20	01-6950-20	01-6950-13	01-6950-13	01-6950-13
12	<b>Pilot Sleeve Assembly</b>	1	<b>02-3880-99</b>	<b>02-3880-99</b>	<b>02-3880-99</b>	<b>02-3880-99</b>	<b>02-3880-99</b>	<b>02-3880-99</b>
13	<b>Pilot Spool Retaining O-Ring</b>	2	<b>04-2650-49-700</b>	<b>04-2650-49-700</b>	<b>04-2650-49-700</b>	<b>04-2650-49-700</b>	<b>04-2650-49-700</b>	<b>04-2650-49-700</b>
14	Retaining Ring	2	00-2650-03	00-2650-03	00-2650-03	00-2650-03	00-2650-03	00-2650-03
<b>WETTED PATH COMPONENTS</b>								
15	Chamber, Liquid	2	02-5004-01	02-5004-03	02-5004-03	02-5004-01	02-5004-03	02-5004-03
16	Clamp Band Assy. Large <sup>3,4</sup>	2	02-7300-08-400	02-7300-03-400	02-7300-03-400	02-7300-08-400	02-7300-03-400	02-7300-03-400
17	Bolt, RHSN, 5/16" -18 X 2"	4	08-6050-08-50	08-6050-03-500	08-6050-03-500	08-6050-08-50	08-6050-03-500	08-6050-03-500
18	Washer, (.344 I.D. X .688 O.D. X .065 THK) (not shown)	4	N/A	N/A	02-6731-03	N/A	N/A	02-6731-03
19	Nut, Hex, 5/16" -18	4	04-6420-08	08-6400-03	N/A	04-6420-08	08-6400-03	N/A
20	Wing Nut, 5/16" -18 (not shown)	4	N/A	N/A	08-6661-10	N/A	N/A	08-6661-10
21	Manifold, Inlet (NPT)	1	02-5084-01	02-5084-03	N/A	02-5084-01	02-5084-03	N/A
	Manifold, Inlet (BSPT)	1	02-5086-01	02-5086-03	N/A	02-5086-01	02-5086-03	N/A
	Manifold, Inlet (Tri-Clamp)	1	N/A	N/A	02-5088-03-70P	N/A	N/A	02-5088-03-70P
22	Bolt, RHSN, 3/8" -16 X 8 1/2"	4	02-6080-08	02-6080-03	02-6080-03	02-6080-08	02-6080-03	02-6080-03
23	Manifold, Discharge (NPT)	1	02-5024-01	02-5024-03	N/A	02-5024-01	02-5024-03	N/A
	Manifold, Discharge (BSPT)	1	02-5026-01	02-5026-03	N/A	02-5026-01	02-5026-03	N/A
	Manifold, Discharge (Tri-Clamp)	1	N/A	N/A	02-5028-03-70P	N/A	N/A	02-5028-03-70P
24	Washer, Flat (Ø.390 X Ø.625 X .063)	4	15-6720-08	02-6730-03	02-6730-03	15-6720-08	02-6730-03	02-6730-03
25	Nut, Hex, 3/8" -16	4	02-6430-08	02-6430-03	N/A	02-6430-08	02-6430-03	N/A
26	Wing Nut, 3/8" -16 (not shown)	4	N/A	N/A	08-6671-10	N/A	N/A	08-6671-10
<b>VALVE BALLS/VALVE SEATS/VALVE O-RINGS</b>								
27	<b>Valve Ball</b>	4	*	*	*	*	*	*
28	<b>Valve Seat</b>	4	*	*	*	*	*	*
29	<b>O-Ring, Valve Seat (-216) (Ø1.109 X Ø.139)</b>	4	*	*	*	*	*	*
<b>FULL STROKE RUBBER/TPE/PTFE/FSIPD COMPONENTS</b>								
30	Shaft, P2 Pro-Flo™ (Non-PTFE)	1	02-3810-03	02-3810-03	02-3810-03	02-3810-03	02-3810-03	02-3810-03
31	Shaft Stud, 3/8" -16 X 1-1/4"	2	N/A	02-6150-03-85	02-6150-03-85	N/A	02-6150-03-85	02-6150-03-85
32	Spring, Disk	2	02-6802-08	02-6802-08	02-6802-08	02-6802-08	02-6802-08	02-6802-08
33	Piston, Inner, P2 Pro-Flo™ (Non-PTFE)	2	02-3701-01	02-3701-01	02-3701-01	02-3701-01	02-3701-01	02-3701-01
34	<b>Diaphragm, Back-Up</b>	2	*	*	*	*	*	*
35	<b>Diaphragm, Primary</b>	2	*	*	*	*	*	*
	<b>Diaphragm, Full Stroke PTFE, Primary</b>	2	<b>02-1040-55</b>	<b>02-1040-55</b>	<b>02-1040-55</b>	<b>02-1040-55</b>	<b>02-1040-55</b>	<b>02-1040-55</b>
	<b>Diaphragm, Full Stroke IPD, Primary</b>	2	<b>02-1031-57</b>	<b>02-1031-57</b>	<b>02-1031-57</b>	<b>02-1031-57</b>	<b>02-1031-57</b>	<b>02-1031-57</b>
36	Piston, Outer, (Non-PTFE)	2	02-4550-01	02-4550-03	02-4550-03	02-4550-01	02-4550-03	02-4550-03P
<b>REDUCED STROKE PTFE/SIPD COMPONENTS</b>								
30	Shaft, Pro-Flo™ (PTFE)	1	02-3840-03	02-3840-03	02-3840-03	02-3840-03	02-3840-03	02-3840-03
31	Shaft Stud, 3/8" -16 X 1-1/4"	2	N/A	02-6150-03-85	02-6150-03-85	N/A	02-6150-03-85	02-6150-03-85
32	Spring, Disk	2	02-6802-08	02-6802-08	02-6802-08	02-6802-08	02-6802-08	02-6802-08
33	Piston, Inner, P2 Pro-Flo™ (PTFE)	2	02-3751-01	02-3751-01	02-3751-01	02-3751-01	02-3751-01	02-3751-01
34	<b>Diaphragm, Back-Up</b>	2	*	*	*	*	*	*
35	<b>Diaphragm, Primary</b>	2	*	*	*	*	*	*
	<b>Diaphragm, Primary (PTFE)</b>	2	<b>02-1010-55</b>	<b>02-1010-55</b>	<b>02-1010-55</b>	<b>02-1010-55</b>	<b>02-1010-55</b>	<b>02-1010-55</b>
	<b>Diaphragm, Integral Piston</b>	2	<b>02-1010-72-85</b>	<b>02-1010-72-85</b>	<b>02-1010-72-85</b>	<b>02-1010-72-85</b>	<b>02-1010-72-85</b>	<b>02-1010-72-85</b>
36	Piston, Outer, (PTFE)	2	02-4601-01	02-4600-03	02-4600-03	02-4601-01	02-4600-03	02-4600-03P

\*Refer to Elastomer Chart

<sup>1</sup>Air Valve Assembly includes items 2 and 3.

<sup>2</sup>Center Section Assembly includes items 10 and 11.

<sup>3</sup>Large Clamp Band Assembly for standard pumps include items 17 and 19.

<sup>4</sup>Large Clamp Band Assembly for SANIFLO™ FDA pumps include items 17, 18 and 20.

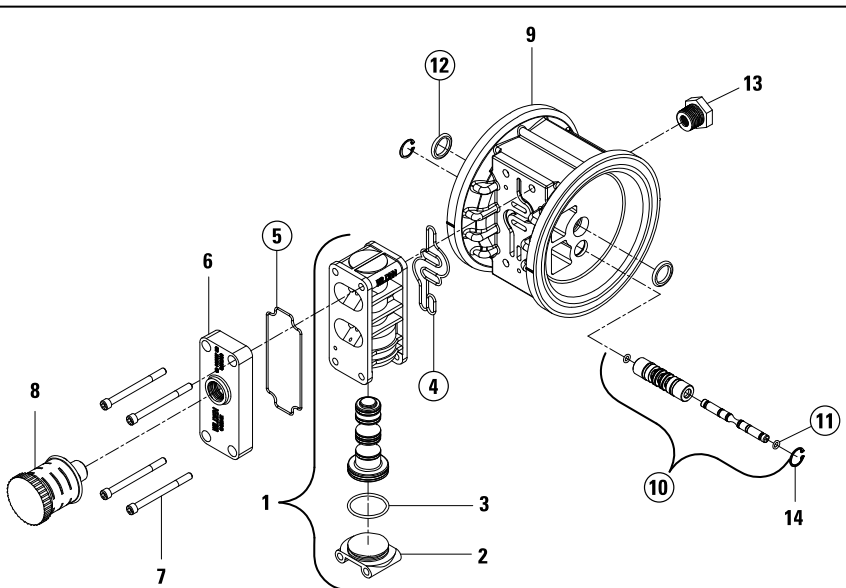
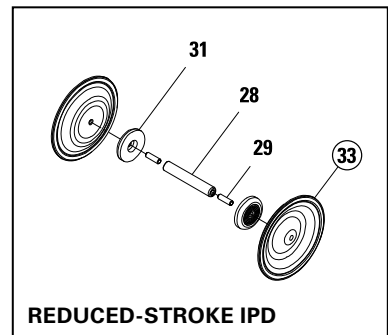
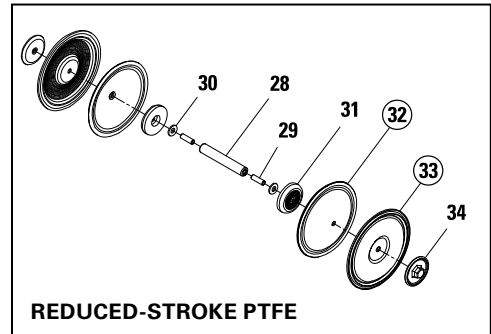
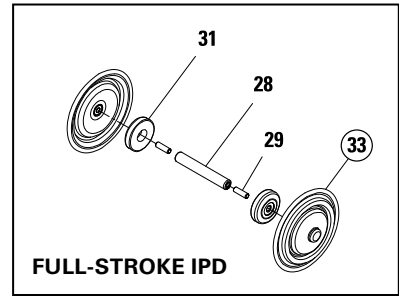
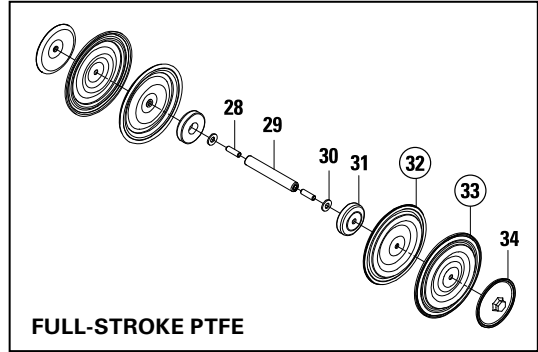
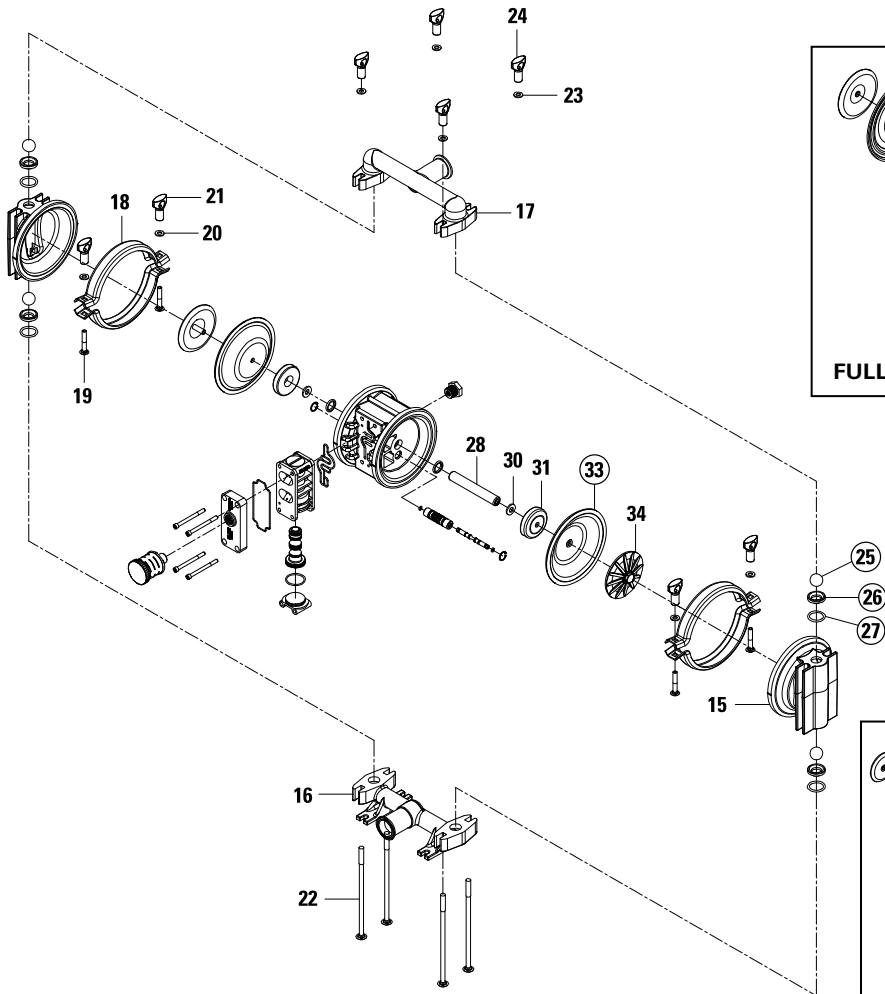
**All boldface items are primary wear parts.**

**EXPLODED VIEW & PARTS LISTING**

**P2 METAL SANIFLO™**

1935/2004/EC

**EXPLODED VIEW**



LW0094, Rev. A

**EXPLODED VIEW & PARTS LISTING**

**P2 METAL SANIFLO™**

1935/2004/EC

**PARTS LISTING**

Item	Description	Qty	P2/SXLLL/ 1935/2004/EC P/N	P2/SSPPP/ 1935/2004/EC P/N
<b>AIR DISTRIBUTION COMPONENTS</b>				
1	<b>Air Valve, Pro-Flo™ Assembly<sup>1</sup></b>	1	01-2010-13	01-2010-20
2	End Cap, Pro-Flo™	1	01-2332-13	01-2332-20
3	O-Ring, End Cap (-126) (Æ1.362 X Æ.103)	1	01-2395-52	01-2395-52
4	<b>Gasket, Air Valve, Pro-Flo™</b>	1	01-2615-52	01-2615-52
5	<b>Gasket, Muffler Plate, Pro-Flo™</b>	1	01-3505-52	01-3505-52
6	Muffler Plate, Pro-Flo™	1	01-3181-13	01-3181-20
7	Screw, SHC, 1/4"-20 X 3"	4	01-6001-03	01-6001-03
8	Muffler, 1/2" MNPT	1	02-3510-99	02-3510-99
9	Center Section Assembly, Pro-Flo™ <sup>2</sup>	1	02-3145-13	02-3145-20
10	Assembly, Pilot Sleeve	1	02-3880-99	02-3880-99
11	O-Ring (-009), Pilot Spool Retaining (Ø.208" x Ø.070")	2	04-2650-49-700	04-2650-49-700
12	Seal, Shaft	2	02-3210-55-225	02-3210-55-225
13	Bushing, Reducer, 1/2" MNPT TO 1/4" FNPT	1	01-6950-13	01-6950-20
14	Ring, Retaining	2	00-2650-03	00-2650-03
<b>WETTED PATH COMPONENTS</b>				
15	Chamber, Liquid	2	02-5004-03	02-5004-03
16	Manifold, Inlet (Tri-Clamp)	1	02-5088-03-70P	02-5088-03-70P
17	Manifold, Discharge (Tri-Clamp)	1	02-5028-03-70P	02-5028-03-70P
18	Clamp Band Assembly, Large <sup>3,4</sup>	2	02-7300-03-400	02-7300-03-400
19	RHSN Bolt, Large Clamp Band (5/16"-18 X 2")	4	08-6050-03-500	08-6050-03-500
20	Washer, Flat (Ø.344 X Ø.688 X .065")	4	02-6731-03	02-6731-03
21	Wing Nut, (5/16"-18)	4	08-6661-10	08-6661-10
22	RHSN Bolt, Liquid Chamber (3/8"-16 X 8-1/2")	4	02-6080-03	02-6080-03
23	Washer, Flat (Ø.392 X Ø.875 X .062)	4	08-6720-07-70	08-6720-07-70
24	Wing Nut, (3/8"-16)	4	08-6671-10	08-6671-10
<b>VALVE BALLS/VALVE SEATS/VALVE O-RINGS</b>				
25	<b>Valve Ball, Pkg 4</b>	1	*	*
26	<b>Valve Seat</b>	4	02-1120-03E	02-1120-03E
27	<b>O-Ring (-216), Valve Seat (Ø1.109 X Ø.139), Pkg 4</b>	1	*	*
<b>FULL STROKE RUBBER/TPE/PTFE/FSIPD COMPONENTS</b>				
28	Shaft, P2 Pro-Flo™ (Non-PTFE)	1	02-3810-03	02-3810-03
29	Stud, Shaft (3/8"-16 X 1-1/4")	2	02-6150-03-85	02-6150-03-85
30	Spring, Disk	2	02-6802-08	02-6802-08
31	Piston, Inner, P2 Pro-Flo™ (Non-PTFE)	2	02-3701-01	02-3701-01
32	<b>Diaphragm, Back-Up, Pkg 2</b>	1	*	*
33	<b>Diaphragm, Primary, Pkg 2</b>	1	*	*
	<b>Diaphragm, Full Stroke PTFE, Primary, Pkg 2</b>	1	02-1040-55	02-1040-55
	<b>Diaphragm, Full Stroke IPD, Primary, Pkg 2</b>	1	02-1031-57	02-1031-57
34	Piston, Outer, (Non-PTFE)	2	02-4550-03P	02-4550-03P
<b>REDUCED STROKE PTFE/SIPD COMPONENTS</b>				
28	Shaft, Pro-Flo™ (PTFE)	1	02-3840-03	02-3840-03
29	Stud, Shaft (3/8"-16 X 1-1/4")	2	02-6150-03-85	02-6150-03-85
30	Spring, Disk	2	02-6802-08	02-6802-08
31	Piston, Inner, P2 Pro-Flo™ (PTFE)	2	02-3751-01	02-3751-01
32	<b>Diaphragm, Back-Up, Pkg 2</b>	1	*	*
33	<b>Diaphragm, Primary, Pkg 2</b>	1	*	*
	<b>Diaphragm, Primary (PTFE), Pkg 2</b>	1	02-1010-55E	02-1010-55E
	<b>Diaphragm, Integral Piston, Pkg 2</b>	1	02-1010-72-85	02-1010-72-85
34	Piston, Outer, (PTFE)	2	02-4600-03P	02-4600-03P

LW0083, Rev. B

<sup>1</sup>Air Valve Assembly includes items 2 and 3.

<sup>2</sup>Center Section Assembly includes items 12 and 14.

<sup>3</sup>Large Clamp Band Assembly for SANIFLO™ FDA pumps include items 17, 18 and 20.

**All boldface items are primary wear parts.**

## ELASTOMER OPTIONS

### P2 Metal

MATERIAL	DIAPHRAGMS (COLOR CODE)	REDUCED-STROKE BACK-UP DIAPHRAGMS (COLOR CODE)	FULL-STROKE BACK-UP DIAPHRAGMS (COLOR CODE)	VALVE BALL (COLOR CODE)	VALVE SEAT (COLOR CODE/ GROOVES)	VALVE SEAT O-RING (COLOR CODE)
Polyurethane	02-1010-50 (clear)	N/A	N/A	02-1080-50 (clear)	N/A	02-1200-50 (brown)
Neoprene	02-1010-51 (green dot)	02-1060-51 (green dot)	N/A	02-1080-51 (green dot)	N/A	02-1200-51
Buna-N®	02-1010-52 (red dot)	N/A	N/A	02-1080-52 (red dot)	N/A	02-1200-52
Food-Grade Buna-N®	02-1010-69 (2 yellow dots)	N/A	N/A	N/A	N/A	N/A
Viton®	02-1010-53 (white dot)	N/A	N/A	02-1080-53 (white dot)	N/A	N/A
EPDM	02-1010-54 (blue dot)	02-1060-54 (blue dot)	N/A	02-1080-54 (blue dot)	N/A	02-1200-54
Food-Grade EPDM	02-1010-74 (2 blue dots)	N/A	N/A	N/A	N/A	N/A
PTFE	02-1010-55 (white)	N/A	N/A	02-1080-55 (white)	N/A	02-1200-55 (white)
Full-Stroke PTFE	02-1040-55 (white)	N/A	N/A	02-1080-55 (white)	N/A	02-1200-55 (white)
Saniflex™	02-1010-56 (cream)	02-1060-56 (cream)	02-1065-56 (cream)	02-1080-56 (cream)	N/A	02-1200-56 (cream)
Food-Grade Wil-Flex™	02-1010-57 (2 orange dots)	N/A	02-1065-57 (2 orange dots)	N/A	N/A	N/A
Wil-Flex™	02-1010-58 (orange dot)	N/A	N/A	02-1080-58 (orange dot)	N/A	02-1200-58
Aluminum	N/A	N/A	N/A	N/A	02-1120-01	N/A
Stainless Steel	N/A	N/A	N/A	N/A	02-1120-03	N/A

### P2 & PX2 Metal Saniflo™ 1935/2004/EC

MATERIAL	DIAPHRAGMS	REDUCED-STROKE BACK-UP DIAPHRAGMS	FULL-STROKE DIAPHRAGMS	FULL-STROKE BACK-UP DIAPHRAGMS	REDUCED IPD DIAPHRAGMS	FULL-STROKE IPD DIAPHRAGMS	IPD DIAPHRAGMS BACK-UP DIAPHRAGMS	VALVE BALLS	VALVE SEAT O-RINGS
FDA BUNA-N®	02-1010-69E	N/A	N/A	N/A	N/A	N/A	N/A	N/A	N/A
FDA EPDM	02-1010-74E	02-1060-54E	N/A	N/A	N/A	N/A	N/A	N/A	N/A
SANIFLEX™	02-1010-56E	02-1060-56E	N/A	02-1065-56E	N/A	N/A	N/A	02-1080-56E	02-1200-56E
FDA WIL-FLEX™	02-1010-57E	N/A	N/A	02-1065-57E	N/A	02-1031-57E	N/A	N/A	N/A
PTFE	02-1010-55E	N/A	02-1040-55E	N/A	02-1010-72-85E	N/A	02-1060-55-85E	02-1080-55E	02-1200-55E

LW0083, Rev. B

# WILDEN®

Part of Pump Solutions Group

A DOVER COMPANY

## DECLARATION OF COMPLIANCE

STATEMENT OF COMPLIANCE TO REGULATIONS (EC) No 1935/2004  
ON MATERIALS AND ARTICLES INTENDED TO COME INTO CONTACT WITH FOOD  
(as per Article 16 of REGULATION (EC) No 1935/2004)



Wilden® Pump & Engineering, LLC, 22069 Van Buren Street, Grand Terrace, CA 92313-5607 USA, declares the equipment listed below intended to come into contact with food comply with the requirements of Regulation (EC) No 1935/2004 of 27<sup>th</sup> October 2004 and (EC) No 2023/2006 of 22<sup>nd</sup> December 2006.

- **Saniflo™ HS Models:**  
(P,X,XPX)(2,4,8,15)/(SS,SZ)(SSS,NNN)/(BNU,EPU,FBS,FES,FSS,FWL,FWS,LEL,TEU,TSS,TSU,TWS,ZSS)/  
(FB,FE,FS,FV,FW,SF,TF,TM)/(FB,FE,FV,TF)/(0770-0789)E
- **13 mm (½") FDA Pro-Flo® & Pro-Flo X™ Models:**  
(P,PX,XPX)1/(SS,SZ)(AAA,GGG,JJJ,LLL,PPP)/(FSS,TEU,TSU)/(FS,TF)/S(FS,TF)/(0067,0070,0120)E
- **25 mm (1") FDA Pro-Flo® Models:**  
P2/(SS,SZ)(LLL,PPP)/(FBS,FES,FSS,FWL,FWS,LEL,TEU,TSS,TSU,TWS)/(FS,TF)/S(FS,TF)/2070E
- **38 mm (1-½") FDA Pro-Flo® & Pro-Flo X™ Models:**  
(P,PX,XPX)4/(SS,SZ)(A,C,L,N,S,V)(AA,LL,NN,PP,SS)/(BNU,EPU,FBS,FES,FSS,FWL,FWS,LEL,TEU,TSS,TSU,TWS,ZSS)/  
(FB,FE,FS,FV,FW,TF,)/(FS,FW,STF)/(0067,0070,0075,0120)E
- **51 mm (2") FDA Pro-Flo® & Pro-Flo X™ Models:**  
(P,PX,XPX)8/SS(A,C,N,S,V)(AA,NN,PP,SS)/(BNU,EPU,FBS,FES,FSS,FWS,FWL,TEU,TSU,TSS,TWS,ZSS)/(FS,FW,TF)/  
(FS,FW,STF)/(0070,0075,0120)E
- **76 mm (3") FDA Pro-Flo X™ Models:**  
(P,X,XPX)15/SS(A,C,N,S)(AA,SS,PP)/(BNU,EPU,FSS,FWS,TEU,TSU,TSS,TWS,ZSS)/(FS,FW,TF)/(FS,FW,STF)/  
(0070,0075,0120,0341)E
- **38 mm (1-½") FDA Pro-Flo® SHIFT Models:**  
XPS4/(SS,SZ)(AAA,NNN)/(FBS,FES,FWL,FWS,TSS,TWS,ZSS)/(FS,FW,TF)/(FS,FW,STF)/(0067,0070,0075,0120)E
- **51 mm (2") FDA Pro-Flo® SHIFT Models:**  
XPS8/(SS,SZ)(AAA,NNN)/(FBS,FES,FWL,FWS,TSS,TWS,ZSS)/(FS,FW,TF)/(FS,FW,STF)/(0070,0075,0120)E
- **76 mm (3") FDA Pro-Flo® SHIFT Models:**  
XPS15/(SS,SZ)(AAA,NNN)/(FWS,TSS,TWS,ZSS)/(FS,FW,TF)/(FS,FW,STF)/(0070,0120,0341)E

Materials used in the equipment that are intended to contact food belong to the groups of materials listed in Annex 1 (EC) 1935/2004.  
(List of groups of materials and articles that may be covered by specific measures)

5) Rubbers

8) Metal and Alloy

10) Plastics

Compliance is subject to material and equipment storage, handling and usage recommended by Wilden® in the engineering operation and maintenance manual and supplemental technical publications.

This declaration is based on the following information:

Statements of raw material suppliers

Wilden® will make available to the competent authorities appropriate documentation to demonstrate compliance.

Approved By:

Chris Distaso  
Director of Engineering  
Date: March 21, 2014



www.psgdover.com

**NOTES**



**NOTES**

**NOTES**

## WARRANTY

Each and every product manufactured by Wilden Pump and Engineering, LLC is built to meet the highest standards of quality. Every pump is functionally tested to insure integrity of operation.

Wilden Pump and Engineering, LLC warrants that pumps, accessories and parts manufactured or supplied by it to be free from defects in material and workmanship for a period of five (5) years from date of installation or six (6) years from date of manufacture, whichever comes first. Failure due to normal wear, misapplication, or abuse is, of course, excluded from this warranty.

Since the use of Wilden pumps and parts is beyond our control, we cannot guarantee the suitability of any pump or part for a particular application and Wilden Pump and Engineering, LLC shall not be liable for any consequential damage or expense arising from the use or misuse of its products on any application. Responsibility is limited solely to replacement or repair of defective Wilden pumps and parts.

All decisions as to the cause of failure are the sole determination of Wilden Pump and Engineering, LLC.

Prior approval must be obtained from Wilden for return of any items for warranty consideration and must be accompanied by the appropriate MSDS for the product(s) involved. A Return Goods Tag, obtained from an authorized Wilden distributor, must be included with the items which must be shipped freight prepaid.

The foregoing warranty is exclusive and in lieu of all other warranties expressed or implied (whether written or oral) including all implied warranties of merchantability and fitness for any particular purpose. No distributor or other person is authorized to assume any liability or obligation for Wilden Pump and Engineering, LLC other than expressly provided herein.

**PLEASE PRINT OR TYPE AND FAX TO WILDEN**

PUMP INFORMATION			
Item # _____		Serial # _____	
Company Where Purchased _____			
YOUR INFORMATION			
Company Name _____			
Industry _____			
Name _____		Title _____	
Street Address _____			
City _____	State _____	Postal Code _____	Country _____
Telephone _____	Fax _____	E-mail _____	Web Address _____
Number of pumps in facility? _____		Number of Wilden pumps? _____	
Types of pumps in facility (check all that apply): <input type="checkbox"/> Diaphragm <input type="checkbox"/> Centrifugal <input type="checkbox"/> Gear <input type="checkbox"/> Submersible <input type="checkbox"/> Lobe			
<input type="checkbox"/> Other _____			
Media being pumped? _____			
How did you hear of Wilden Pump? <input type="checkbox"/> Trade Journal <input type="checkbox"/> Trade Show <input type="checkbox"/> Internet/E-mail <input type="checkbox"/> Distributor			
<input type="checkbox"/> Other _____			

**ONCE COMPLETE, FAX TO (909) 783-3440**

NOTE: WARRANTY VOID IF PAGE IS NOT FAXED TO WILDEN  
WILDEN PUMP & ENGINEERING, LLC

## PSG Brands

**ABAQUE™**  
PERISTALTIC PUMPS  
mouvex.com

**ALMATEC®**  
AIR-OPERATED  
DOUBLE-DIAPHRAGM PUMPS  
almatec.de

**AUTOMATIK**  
PELLETIZING SYSTEMS  
maag.com

**BLACKMER®**  
VANE PUMPS & COMPRESSORS  
blackmer.com

**FLUID DYNAMICS™**  
POLYMER BLENDING SYSTEMS  
fluiddynamics1.com

**GRISWOLD™**  
CENTRIFUGAL PUMPS  
griswoldpump.com

**MAAG  
FILTRATION**  
PLASTIC MANUFACTURING &  
PROCESSING FILTRATION  
maag.com

**MAAG  
INDUSTRIAL PUMPS**  
GEAR & SCREW PUMPS  
maag.com

**MAAG  
PUMP SYSTEMS**  
EXTRUSION PUMPS & SYSTEMS  
maag.com

**MOUVEX®**  
ECCENTRIC DISC PUMPS,  
VANE PUMPS &  
COMPRESSORS  
mouvex.com

**NEPTUNE™**  
DIAPHRAGM (METERING) PUMPS,  
POLYMER SYSTEMS & MIXERS  
neptune1.com

**QUATTROFLOW™**  
QUATERNARY DIAPHRAGM  
PUMP TECHNOLOGY  
quattroflow.com

**REDSCREW™**  
SCREW PUMPS  
redscrewpump.com

**SYSTEM ONE®**  
CENTRIFUGAL PUMPS  
blackmer.com

**WILDEN®**  
AIR-OPERATED  
DOUBLE-DIAPHRAGM PUMPS  
wildenpump.com



## Where Innovation Flows

PSG® reserves the right to modify the information and illustrations contained in this document without prior notice. This is a non-contractual document. 06-2014

Authorized PSG Representative:

**WILDEN®**  
Part of Pump Solutions Group  
A DOVER COMPANY

22069 Van Buren St.  
Grand Terrace, CA 92313-5607  
T: +1 (909) 422-1731  
F: +1 (909) 783-3440

Copyright ©2014, Pump Solutions Group (PSG®), A Dover Company