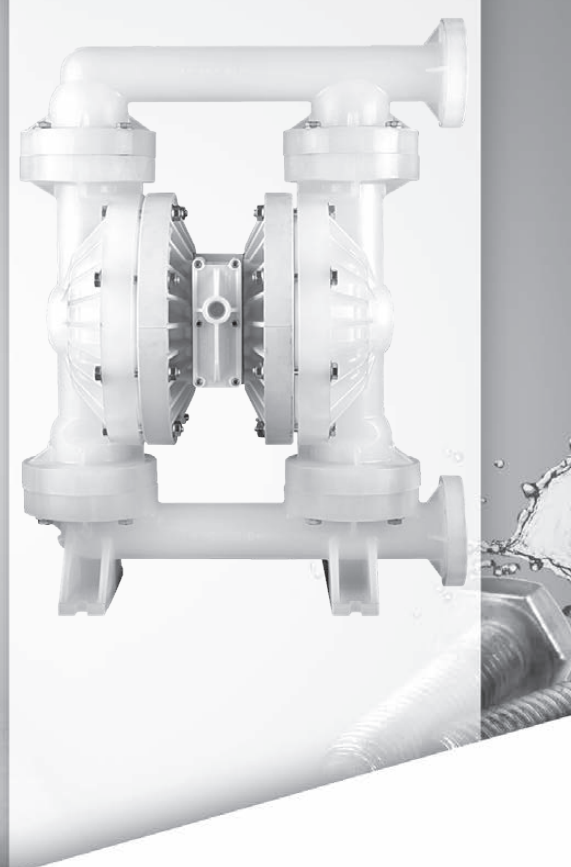


WILDEN®

EOM
Engineering
Operation &
Maintenance

P800/PX800
Plastic Pump



Where Innovation Flows

www.wildenpump.com


PSG
a **DOVER** company

TABLE OF CONTENTS

SECTION 1 CAUTIONS—READ FIRST! 1

SECTION 2 WILDEN PUMP DESIGNATION SYSTEM 2

SECTION 3 HOW IT WORKS—PUMP & AIR DISTRIBUTION SYSTEM 3

SECTION 4 DIMENSIONAL DRAWINGS 4

SECTION 5 PERFORMANCE

 A. P800 Plastic Performance Curves

 Rubber-Fitted 8

 TPE-Fitted 8

 Reduced-Stroke PTFE-Fitted 9

 Full-Stroke PTFE-Fitted 9

 Ultra-Flex™ -Fitted 10

 Suction-Lift Curves 11

 B. PX800 Plastic Performance Curves

 Operating Principle 14

 How to Use this EMS Curve 15

 Performance Curves

 Rubber-Fitted 18

 TPE-Fitted 19

 Reduced-Stroke PTFE-Fitted 20

 Full-Stroke PTFE-Fitted 21

 Ultra-Flex™ -Fitted 22

 Suction-Lift Curves 23

SECTION 6 SUGGESTED INSTALLATION, OPERATION & TROUBLESHOOTING 25

SECTION 7 DISASSEMBLY / REASSEMBLY 28

 Pro-Flo® Air Valve / Center Section Disassembly 31

 Pro-Flo X™ Air Valve / Center Section Disassembly 34

 Reassembly Hints & Tips 36

SECTION 8 EXPLODED VIEW & PARTS LISTING

 P800 Plastic 38


 PX800 Plastic 40


SECTION 9 ELASTOMER OPTIONS 42





CAUTIONS—READ FIRST!

 **CAUTION:** Do not apply compressed air to the exhaust port — pump will not function.


 **CAUTION:** Do not over-lubricate air supply — excess lubrication will reduce pump performance. Pump is pre-lubed.


 **TEMPERATURE LIMITS:**


Acetal	-29°C to 82°C	-20°F to 180°F
Buna-N	-12°C to 82°C	10°F to 180°F
Geolast®	-40°C to 82°C	-40°F to 180°F
Neoprene	-18°C to 93°C	0°F to 200°F
Nordel® EPDM	-51°C to 138°C	-60°F to 280°F
Nylon	-18°C to 93°C	0°F to 200°F
PFA	-7°C to 107°C	45°F to 225°F
Polypropylene	0°C to 79°C	32°F to 175°F
Polyurethane	-12°C to 66°C	10°F to 150°F
PVDF	-12°C to 107°C	10°F to 225°F
Saniflex™	-29°C to 104°C	-20°F to 220°F
SIPD PTFE with EPDM-backed	4°C to 137°C	40°F to 280°F
SIPD PTFE with Neoprene-backed	4°C to 93°C	40°F to 200°F
PTFE ¹	4°C to 104°C	40°F to 220°F
Viton® FKM	-40°C to 177°C	-40°F to 350°F
Wil-Flex™	-40°C to 107°C	-40°F to 225°F


¹4°C to 149°C (40°F to 300°F) - 13 mm (1/2") and 25 mm (1") models only.


NOTE: Not all materials are available for all models. Refer to Section 2 for material options for your pump.


 **CAUTION:** When choosing pump materials, be sure to check the temperature limits for all wetted components. Example: Viton® has a maximum limit of 177°C (350°F) but polypropylene has a maximum limit of only 79°C (175°F).


 **CAUTION:** Maximum temperature limits are based upon mechanical stress only. Certain chemicals will significantly reduce maximum safe operating temperatures. Consult Chemical Resistance Guide for chemical compatibility and temperature limits.


 **WARNING:** Prevent static sparking— If static sparking occurs, fire or explosion could result. Pump, valves, and containers must be grounded to a proper grounding point when handling flammable fluids and whenever discharge of static electricity is a hazard.


 **CAUTION:** Do not exceed 8.6 bar (125 psig) air supply pressure.


 **CAUTION:** The process fluid and cleaning fluids must be chemically compatible with all wetted pump components. Consult Chemical Resistance Guide.


 **CAUTION:** Do not exceed 82°C (180°F) air inlet temperature for Pro-Flo X™ models.


 **CAUTION:** Always wear safety glasses when operating pump. If diaphragm rupture occurs, material being pumped may be forced out air exhaust.


 **CAUTION:** Before any maintenance or repair is attempted, the compressed air line to the pump should be disconnected and all air pressure allowed to bleed from pump. Disconnect all intake, discharge and air lines. Drain the pump by turning it upside down and allowing any fluid to flow into a suitable container.


 **CAUTION:** Blow out air line for 10 to 20 seconds before attaching to pump to make sure all pipeline debris is clear. Use an in-line air filter. A 5µ (micron) air filter is recommended.

 **CAUTION:** If the pipe plug in the inlet or discharge manifold on the 51 mm (2") bolted plastic center-ported model is removed, a triple density (red) PTFE pipe tape is recommended to ensure adequate sealing.

 **NOTE:** When installing PTFE diaphragms, it is important to tighten outer pistons simultaneously (turning in opposite directions) to ensure tight fit. (See torque specifications in Section 7.)

 **NOTE:** Before starting disassembly, mark a line from each liquid chamber to its corresponding air chamber. This line will assist in proper alignment during reassembly.

 **CAUTION:** Pro-Flo® pumps cannot be used in submersible applications. Pro-Flo X™ is available in both single-point exhaust (submersible) and standard (non-submersible) options. Do not use standard Pro-Flo X™ models in submersible applications. Turbo-Flo™ pumps are also available in a single-point exhaust (submersible) configuration.

 **CAUTION:** Tighten all hardware prior to installation.



WILDEN PUMP DESIGNATION SYSTEM

P800/PX800 PLASTIC

**51 mm (2") Pump
Maximum Flow Rate:
693 lpm (183 gpm)**

LEGEND

PX800 / XXXXX / XXX / XX / XXX / XXXX

MODEL

WETTED PARTS & OUTER PISTON

AIR CHAMBERS

CENTER BLOCK

AIR VALVE

DIAPHRAGMS

VALVE BALLS

O-RINGS

VALVE SEATS

SPECIALTY CODE

(if applicable)

MATERIAL CODES

MODEL

P800 = PRO-FLO®
PX800 = PRO-FLO X™

WETTED PARTS

KK = PVDF / PVDF
KZ = PVDF / NO OUTER PISTON
PK = POLYPROPYLENE / PVDF
PZ = POLYPROPYLENE / NO OUTER PISTON

AIR CHAMBERS

P = POLYPROPYLENE

CENTER BLOCK

P = POLYPROPYLENE

AIR VALVE

P = POLYPROPYLENE

DIAPHRAGMS

BNS = BUNA-N (Red Dot)
BNU = BUNA-N, ULTRA-FLEX™
EPS = EPDM (Blue Dot)
EPU = EPDM, ULTRA-FLEX™
FSS = SANIFLEX™ [Hytrel® (Cream)]
FWL = SANITARY WIL-FLEX™, IPD
FWS = SANITARY WIL-FLEX™, EZ-INSTALL [Santoprene® (Two Orange Dots)]
NES = NEOPRENE (Green Dot)
NEU = NEOPRENE, ULTRA-FLEX™
PUS = POLYURETHANE (Clear)
TEU = PTFE W/EPDM BACK-UP (White)
TNU = PTFE W/NEOPRENE BACK-UP (White)
TSU = PTFE W/SANIFLEX™ BACK-UP (White)
TSS = FULL-STROKE PTFE W/SANIFLEX™ BACK-UP
TWS = FULL-STROKE PTFE W/WIL-FLEX™ BACK-UP
VTS = VITON® (White Dot)
VTU = VITON®, ULTRA-FLEX™
WFS = WIL-FLEX™ [Santoprene® (Orange Dot)]
ZGS = GEOLAST®, EZ-INSTALL
ZPS = POLYURETHANE, EZ-INSTALL
ZSS = SANIFLEX™, EZ-INSTALL
ZWS = WIL-FLEX™, EZ-INSTALL

VALVE BALLS

BN = BUNA-N (Red Dot)
EP = EPDM (Blue Dot)
FS = SANIFLEX™ [Hytrel® (Cream)]
FW = SANITARY WIL-FLEX™ [Santoprene® (Two Orange Dots)]
NE = NEOPRENE (Green Dot)
PU = POLYURETHANE (Brown)
TF = PTFE (White)
VT = VITON® (White Dot)
WF = WIL-FLEX™ [Santoprene® (Orange Dot)]

VALVE SEATS

K = PVDF
P = POLYPROPYLENE

VALVE SEAT & FLANGE O-RINGS

BN = BUNA-N
TV = PTFE ENCAP. VITON®
WF = WIL-FLEX™ [Santoprene® (Orange Dot)]

SPECIALTY CODES

- | | |
|--------------------------------------------------------------|-----------------------------------------------------------------|
| 0100 Wil-Gard 110V | 0502 PFA-Coated |
| 0102 Wil-Gard sensor wires ONLY | 0504 DIN Flange |
| 0103 Wil-Gard 220V | 0506 DIN Flange, PFA-Coated |
| 0206 PFA-coated hardware, Wil-Gard II™ sensor wires ONLY | 0513 SS outer pistons |
| 0320 Single-point exhaust | 0604 DIN flange Wil-Gard II™ |
| 0480 Pump Cycle Monitor (sensor & wires) | 0608 PFA-coated hardware, Wil-Gard II™ 220V |
| 0483 Pump Cycle Monitor (module, sensor & wires) | 0690 Center-Ported ANSI/DIN Combo |
| 0485 Pump Cycle Monitor (module, sensor & wires), DIN flange | 0691 Center-Ported, ANSI/DIN combo flange, PFA-coated fasteners |

NOTE: Most elastomeric materials use colored dots for identification.

NOTE: Not all models are available with all material options.

Viton® is a registered trademark of DuPont Dow Elastomers.

HOW IT WORKS — PUMP

The Wilden diaphragm pump is an air-operated, positive displacement, self-priming pump. These drawings show flow pattern through the pump upon its initial stroke. It is assumed the pump has no fluid in it prior to its initial stroke.

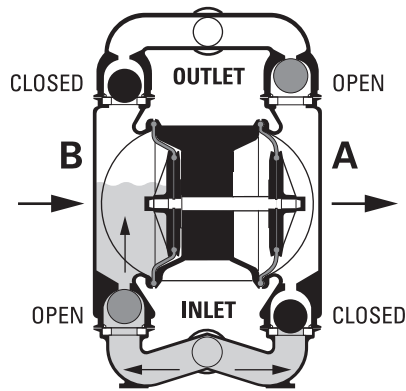


FIGURE 1 The air valve directs pressurized air to the back side of diaphragm A. The compressed air is applied directly to the liquid column separated by elastomeric diaphragms. The diaphragm acts as a separation membrane between the compressed air and liquid; a balanced load removes mechanical stress from the diaphragm. The compressed air moves the diaphragm away from the center of the pump. The opposite diaphragm is pulled in by the shaft connected to the pressurized diaphragm. Diaphragm B is on its suction stroke; air behind the diaphragm has been forced out to atmosphere through the exhaust port of the pump. The movement of diaphragm B toward the center of the pump creates a vacuum within chamber B. Atmospheric pressure forces fluid into the inlet manifold forcing the inlet valve ball off its seat. Liquid is free to move past the inlet valve ball and fill the liquid chamber (see shaded area).

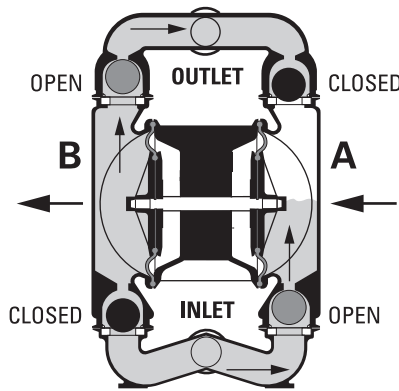


FIGURE 2 When the pressurized diaphragm, diaphragm A, reaches the limit of its discharge stroke, the air valve redirects pressurized air to the back side of diaphragm B. The pressurized air forces diaphragm B away from the center while pulling diaphragm A to the center. Diaphragm B is now on its discharge stroke. Diaphragm B forces the inlet valve ball onto its seat due to the hydraulic forces developed in the liquid chamber and manifold of the pump. These same hydraulic forces lift the discharge valve ball from its seat, forcing fluid to flow through the pump discharge. The movement of diaphragm A toward the center of the pump creates a vacuum within liquid chamber A. Atmospheric pressure forces fluid into the inlet manifold of the pump. The inlet valve ball is forced off its seat allowing the fluid being pumped to fill the liquid chamber.

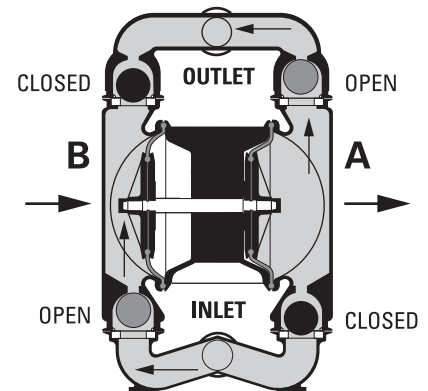
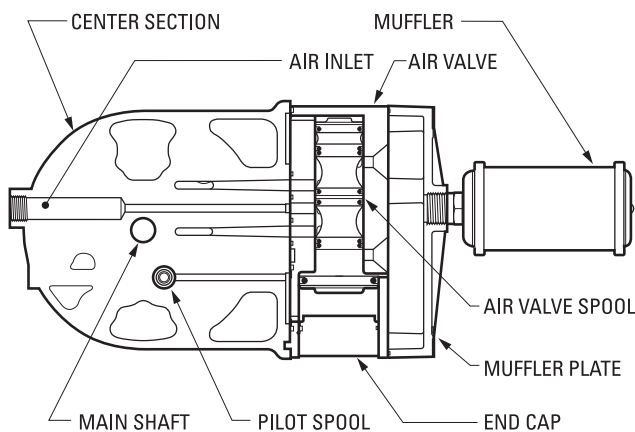


FIGURE 3 At completion of the stroke, the air valve again redirects air to the back side of diaphragm A, which starts diaphragm B on its exhaust stroke. As the pump reaches its original starting point, each diaphragm has gone through one exhaust and one discharge stroke. This constitutes one complete pumping cycle. The pump may take several cycles to completely prime depending on the conditions of the application.

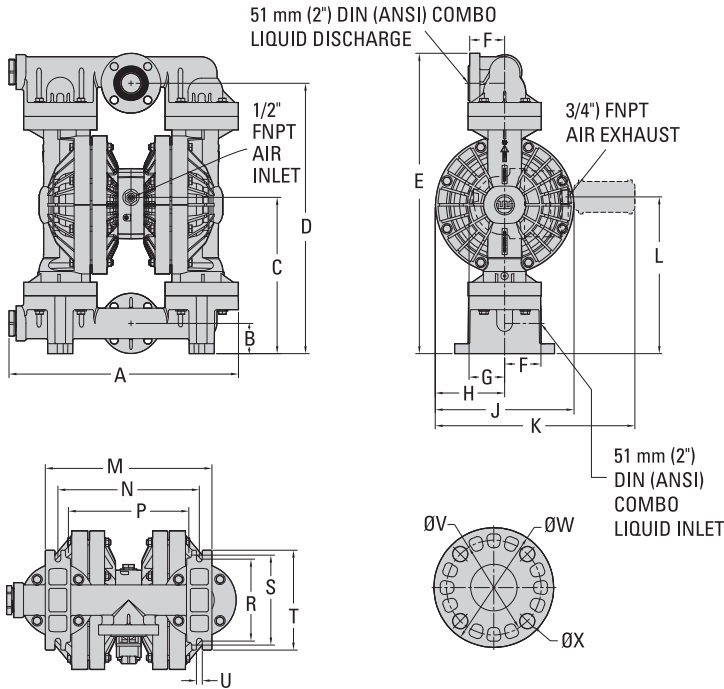
HOW IT WORKS — AIR DISTRIBUTION SYSTEM



The Pro-Flo® patented air distribution system incorporates two moving parts: the air valve spool and the pilot spool. The heart of the system is the air valve spool and air valve. This valve design incorporates an unbalanced spool. The smaller end of the spool is pressurized continuously, while the large end is alternately pressurized then exhausted to move the spool. The spool directs pressurized air to one air chamber while exhausting the other. The air causes the main shaft/diaphragm assembly to shift to one side — discharging liquid on that side and pulling liquid in on the other side. When the shaft reaches the end of its stroke, the inner piston actuates the pilot spool, which pressurizes and exhausts the large end of the air valve spool. The repositioning of the air valve spool routes the air to the other air chamber.

P800 Polypropylene Center-Ported

DIMENSIONS

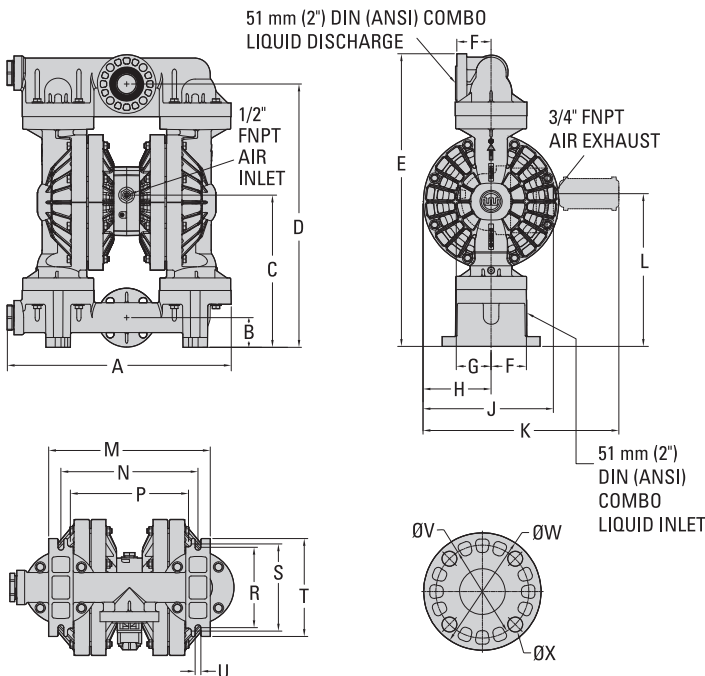


ITEM	METRIC (mm)	STANDARD (inch)
A	584	23.0
B	77	3.0
C	396	15.6
D	688	27.1
E	765	30.1
F	89	3.5
G	91	3.6
H	175	6.9
J	353	13.9
K	508	20.0
L	399	15.7
M	423	16.7
N	360	14.2
P	306	12.1
R	208	8.2
S	226	8.9
T	254	10.0
U	15	0.6
DIN / ANSI COMBO		
V	121 DIA.	4.8 DIA.
W	152 DIA.	6.0 DIA.
X	21 DIA.	0.8 DIA.

LW0332 REV. A

P800 PVDF Center-Ported

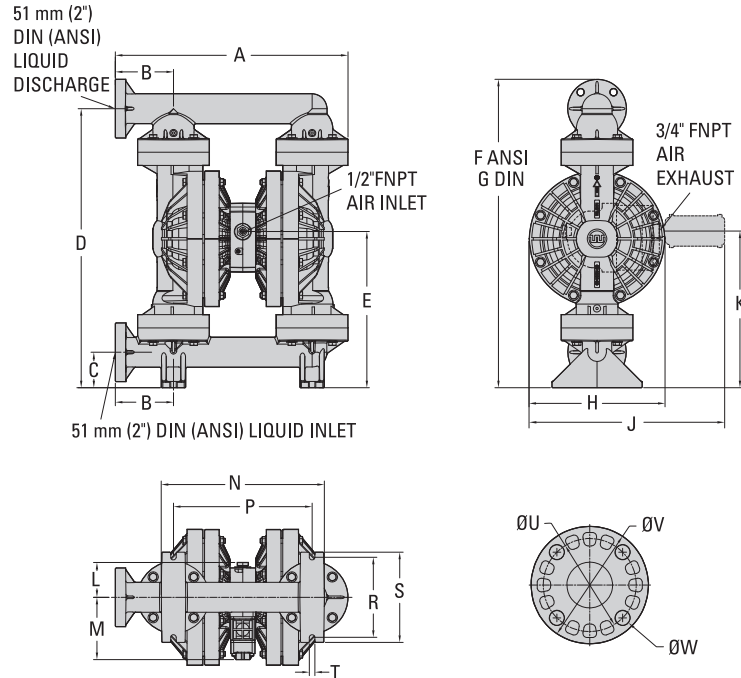
DIMENSIONS



ITEM	METRIC (mm)	STANDARD (inch)
A	582	22.9
B	77	3.0
C	394	15.5
D	683	26.9
E	759	29.9
F	89	3.5
G	91	3.6
H	175	6.9
J	358	13.3
K	508	20.0
L	396	15.6
M	419	16.5
N	356	14.0
P	306	12.1
R	208	8.2
S	226	8.9
T	254	10.0
U	15	0.6
DIN / ANSI COMBO		
V	121 DIA.	4.8 DIA.
W	152 DIA.	6.0 DIA.
X	21 DIA.	0.8 DIA.

LW0333 REV. A

P800 Polypropylene Side-Ported

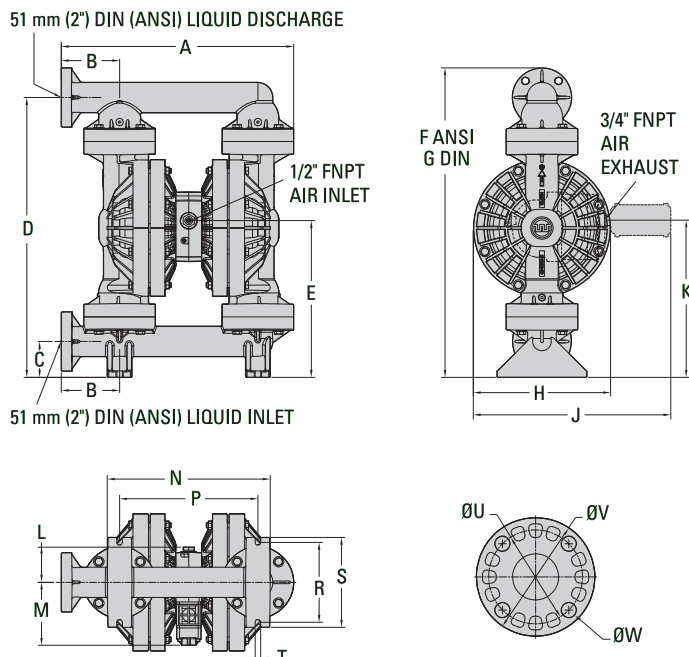


DIMENSIONS

ITEM	METRIC (mm)	STANDARD (inch)
A	604	23.8
B	151	5.9
C	92	3.6
D	729	28.7
E	406	16.0
F	800	31.5
G	807	31.8
H	353	13.9
J	508	20.0
K	406	16.0
L	84	3.3
M	122	4.8
N	423	16.7
P	360	14.2
R	208	8.2
S	234	9.2
T	14	0.6
DIN FLANGE		
U	121 DIA.	4.9 DIA.
V	165 DIA.	6.5 DIA.
W	18 DIA.	0.7 DIA.
ANSI FLANGE		
U	121 DIA.	4.8 DIA.
V	152 DIA.	6.0 DIA.
W	19 DIA.	0.8 DIA.

LW0330 REV. A

P800 PVDF Side-Ported



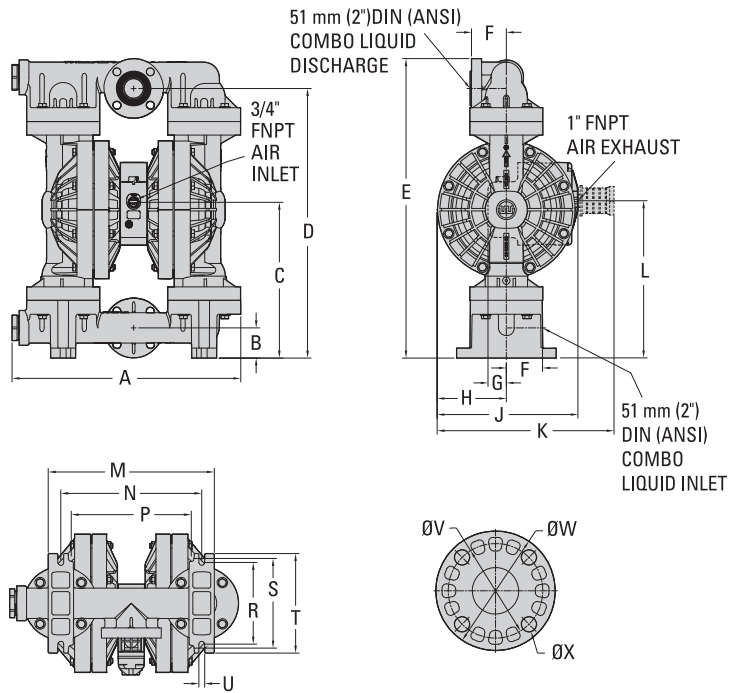
DIMENSIONS

ITEM	METRIC (mm)	STANDARD (inch)
A	597	23.5
B	150	5.9
C	92	3.6
D	720	28.3
E	403	15.9
F	796	31.3
G	802	31.6
H	353	13.9
J	508	20.0
K	404	15.9
L	84	3.3
M	122	4.8
N	419	16.5
P	356	14.0
R	205	8.1
S	231	9.1
T	14	0.6
DIN FLANGE		
U	125 DIA.	4.9 DIA.
V	165 DIA.	6.5 DIA.
W	18 DIA.	0.7 DIA.
ANSI FLANGE		
U	121 DIA.	4.8 DIA.
V	152 DIA.	6.0 DIA.
W	19 DIA.	0.8 DIA.

LW0331 REV. A

DIMENSIONAL DRAWING

PX800 Polypropylene Center-Ported

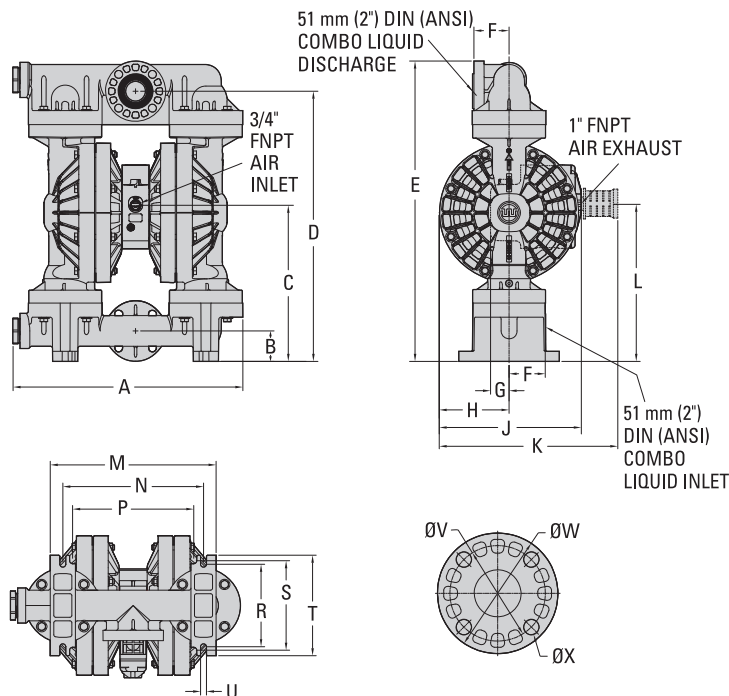


DIMENSIONS

ITEM	METRIC (mm)	STANDARD (inch)
A	584	23.0
B	77	3.0
C	396	15.6
D	688	27.1
E	765	30.1
F	89	3.5
G	48	1.9
H	178	7.0
J	356	14.0
K	452	17.8
L	404	15.9
M	423	16.7
N	360	14.2
P	306	12.1
R	208	8.2
S	226	8.9
T	254	10.0
U	15	0.6
DIN / ANSI COMBO		
V	121 DIA.	4.8 DIA.
W	152 DIA.	6.0 DIA.
X	21 DIA.	0.8 DIA.

LW0336 REV. A

PX800 PVDF Center-Ported

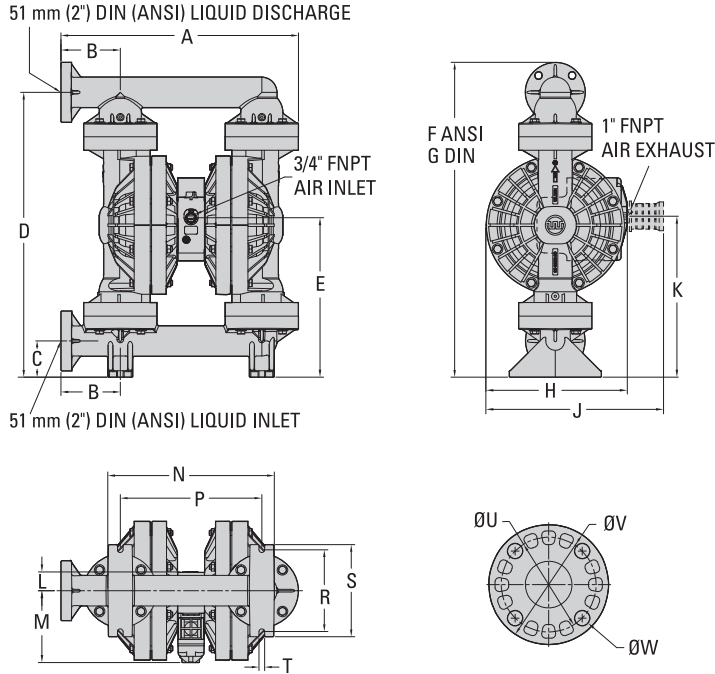


DIMENSIONS

ITEM	METRIC (mm)	STANDARD (inch)
A	582	22.9
B	77	3.0
C	394	15.5
D	683	26.9
E	759	29.9
F	89	3.5
G	46	1.8
H	175	6.9
J	358	14.1
K	452	17.8
L	396	15.6
M	419	16.5
N	356	14.0
P	306	12.1
R	208	8.2
S	226	8.9
T	254	10.0
U	15	0.6
DIN / ANSI COMBO		
V	121 DIA.	4.8 DIA.
W	152 DIA.	6.0 DIA.
X	21 DIA.	0.8 DIA.

LW0337 REV. A

PX800 Polypropylene Side-Ported

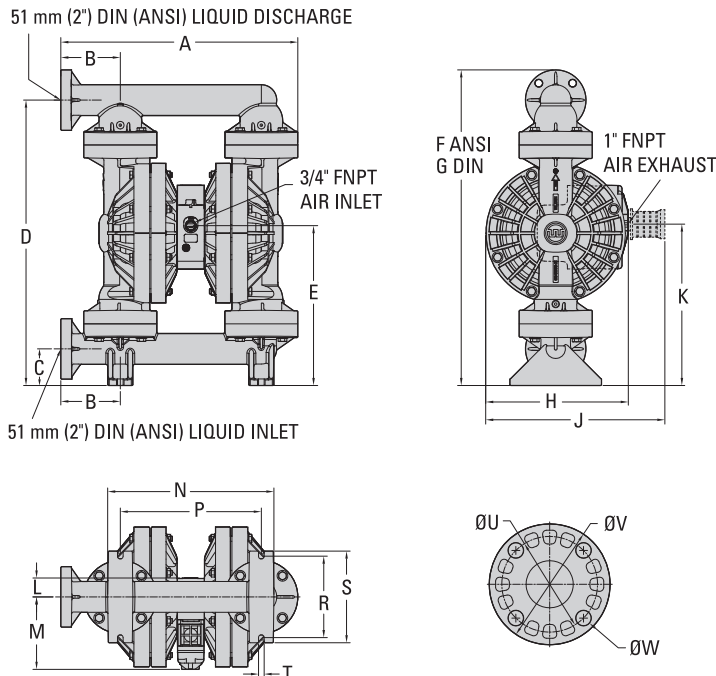


DIMENSIONS

ITEM	METRIC (mm)	STANDARD (inch)
A	604	23.8
B	151	5.9
C	92	3.6
D	729	28.7
E	405	15.9
F	800	31.5
G	807	31.8
H	360	14.2
J	452	17.8
K	409	16.1
L	48	1.9
M	183	7.2
N	423	16.7
P	360	14.2
R	208	8.2
S	234	9.2
T	14	0.6
DIN FLANGE		
U	125 DIA.	4.9 DIA.
V	165 DIA.	6.5 DIA.
W	18 DIA.	0.7 DIA.
ANSI FLANGE		
U	121 DIA.	4.8 DIA.
V	152 DIA.	6.0 DIA.
W	19 DIA.	0.8 DIA.

LW0334 REV. A

PX800 PVDF Side-Ported



DIMENSIONS

ITEM	METRIC (mm)	STANDARD (inch)
A	597	23.5
B	150	5.9
C	92	3.6
D	720	28.3
E	403	15.9
F	796	31.3
G	802	31.6
H	360	14.2
J	452	17.8
K	407	16.0
L	48	1.9
M	183	7.2
N	419	16.5
P	356	14.0
R	205	8.1
S	231	9.1
T	14	0.6
DIN FLANGE		
U	125 DIA.	4.9 DIA.
V	165 DIA.	6.5 DIA.
W	18 DIA.	0.7 DIA.
ANSI FLANGE		
U	121 DIA.	4.8 DIA.
V	152 DIA.	6.0 DIA.
W	19 DIA.	0.8 DIA.

LW0335 REV. A



PERFORMANCE

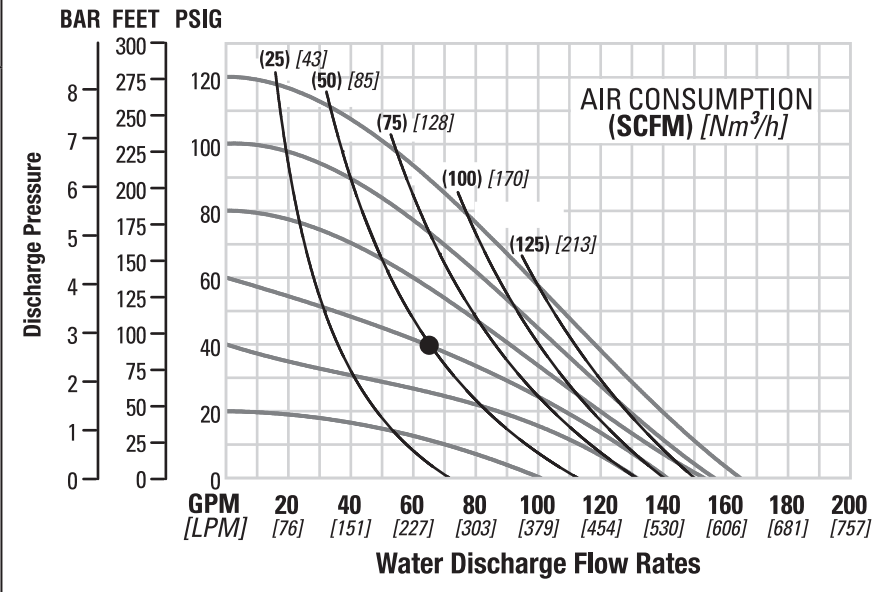
P800 PLASTIC RUBBER-FITTED

Ship Weight Polypropylene 32 kg (70 lb)
 PVDF 45 kg (99 lb)
 Air Inlet 13 mm (1/2")
 Inlet 51 mm (2")
 Outlet 51 mm (2")
 Suction Lift 6.23 m Dry (20.4')
 8.65 m Wet (28.4')
 Disp. per Stroke¹ 2.75 L (0.73 gal)
 Max. Flow Rate 624 lpm (165 gpm)
 Max. Size Solids 6.4 mm (1/4")

¹Displacement per stroke was calculated at 4.8 bar (70 psig) air inlet pressure against a 2.1 bar (30 psig) head pressure.

Example: To pump 246 lpm (65 gpm) against a discharge head pressure of 2.8 bar (40 psig) requires 4.1 bar (60 psig) and 85 Nm³/h (50 scfm) air consumption.

Caution: Do not exceed 8.6 bar (125 psig) air supply pressure.



Flow rates indicated on chart were determined by pumping water.

For optimum life and performance, pumps should be specified so that daily operation parameters will fall in the center of the pump's performance curve.

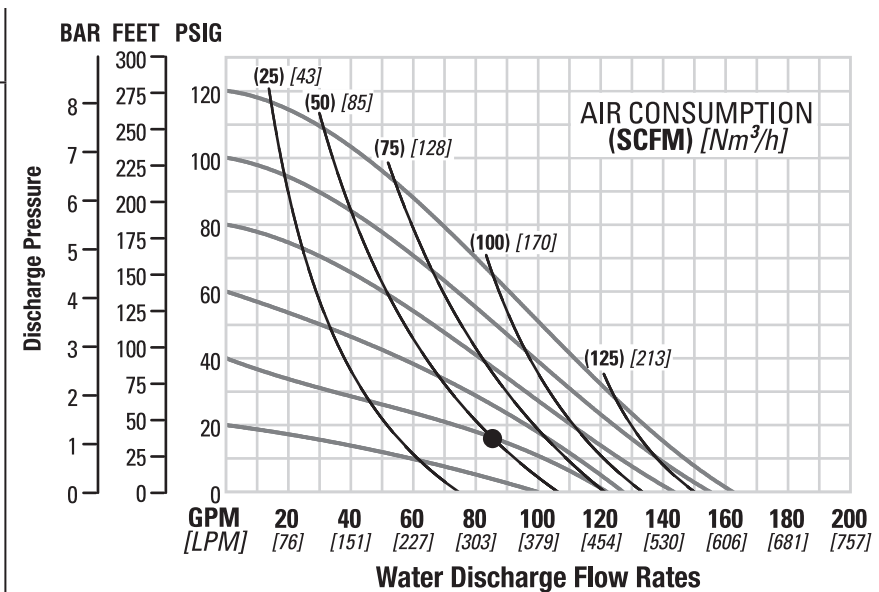
P800 PLASTIC TPE-FITTED

Ship Weight Polypropylene 32 kg (70 lb)
 PVDF 45 kg (99 lb)
 Air Inlet 13 mm (1/2")
 Inlet 51 mm (2")
 Outlet 51 mm (2")
 Suction Lift 5.54 m Dry (18.16')
 8.66 m Wet (28.4')
 Disp. per Stroke¹ 2.78 L (0.74 gal)
 Max. Flow Rate 615 lpm (162 gpm)
 Max. Size Solids 6.4 mm (1/4")

¹Displacement per stroke was calculated at 4.8 bar (70 psig) air inlet pressure against a 2.1 bar (30 psig) head pressure.

Example: To pump 322 lpm (85 gpm) against a discharge head pressure of 1.2 bar (17 psig) requires 2.8 bar (40 psig) and 85 Nm³/h (50 scfm) air consumption.

Caution: Do not exceed 8.6 bar (125 psig) air supply pressure.



Flow rates indicated on chart were determined by pumping water.

For optimum life and performance, pumps should be specified so that daily operation parameters will fall in the center of the pump's performance curve.

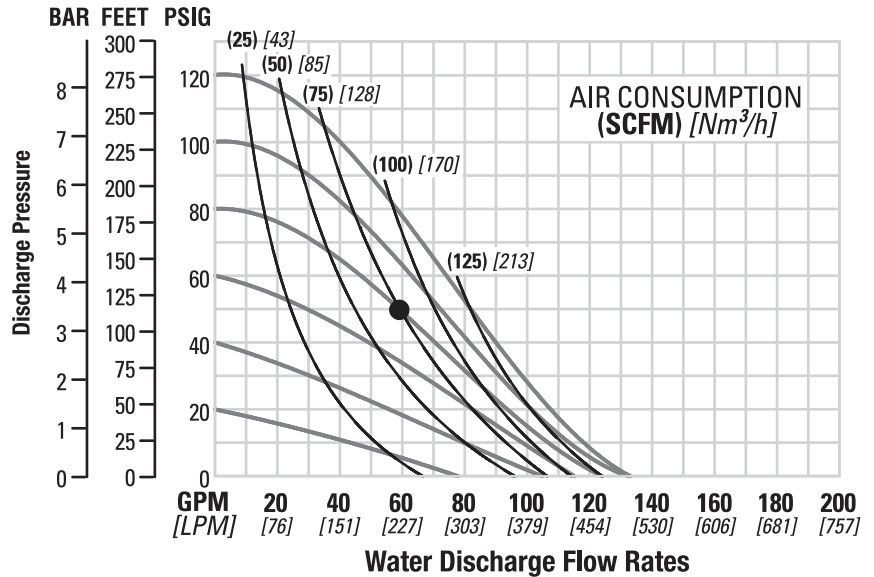
**P800 PLASTIC
REDUCED-STROKE PTFE-FITTED**

Ship Weight Polypropylene 32 kg (70 lb)
PVDF 45 kg (99 lb)
Air Inlet 13 mm (1/2")
Inlet 51 mm (2")
Outlet 51 mm (2")
Suction Lift 4.15 m Dry (13.62')
8.65 m Wet (28.4')
Disp. per Stroke¹ 1.73 L (0.457 gal)
Max. Flow Rate 504 lpm (133 gpm)
Max. Size Solids 6.4 mm (1/4")

¹Displacement per stroke was calculated at 4.8 bar (70 psig) air inlet pressure against a 2 bar (30 psig) head pressure.

Example: To pump 220 lpm (58 gpm) against a discharge head pressure of 3.4 bar (50 psig) requires 5.5 bar (80 psig) and 128 Nm³/h (75 scfm) air consumption.

Caution: Do not exceed 8.6 bar (125 psig) air supply pressure.



Flow rates indicated on chart were determined by pumping water.

For optimum life and performance, pumps should be specified so that daily operation parameters will fall in the center of the pump's performance curve.

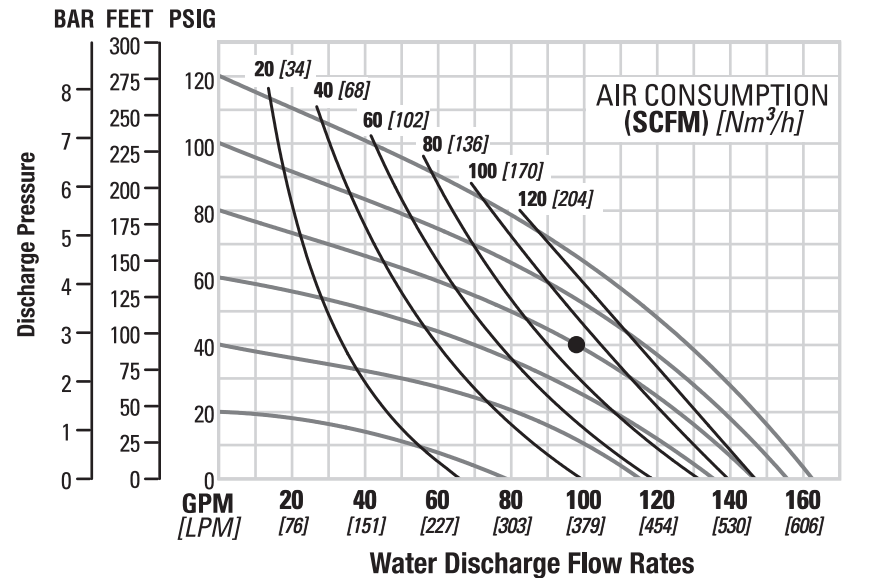
**P800 PLASTIC
FULL-STROKE PTFE-FITTED**

Ship Weight Polypropylene 32 kg (70 lb)
PVDF 45 kg (99 lb)
Air Inlet 13 mm (1/2")
Inlet 51 mm (2")
Outlet 51 mm (2")
Suction Lift 5.9m Dry (19.5')
9.0 m Wet (29.5')
Disp. per Stroke¹ 2.5 L (0.67 gal)
Max. Flow Rate 615 lpm (162 gpm)
Max. Size Solids 6.4 mm (1/4")

¹Displacement per stroke was calculated at 4.8 bar (70 psig) air inlet pressure against a 2.1 bar (30 psig) head pressure.

Example: To pump 371 lpm (98 gpm) against a discharge head of 2.8 bar (40 psig) requires 5.5 bar (80 psig) and 147.9 Nm³/h (92 scfm) air consumption.

Caution: Do not exceed 8.6 bar (125 psig) air supply pressure.



Flow rates indicated on chart were determined by pumping water.

For optimum life and performance, pumps should be specified so that daily operation parameters will fall in the center of the pump's performance curve.

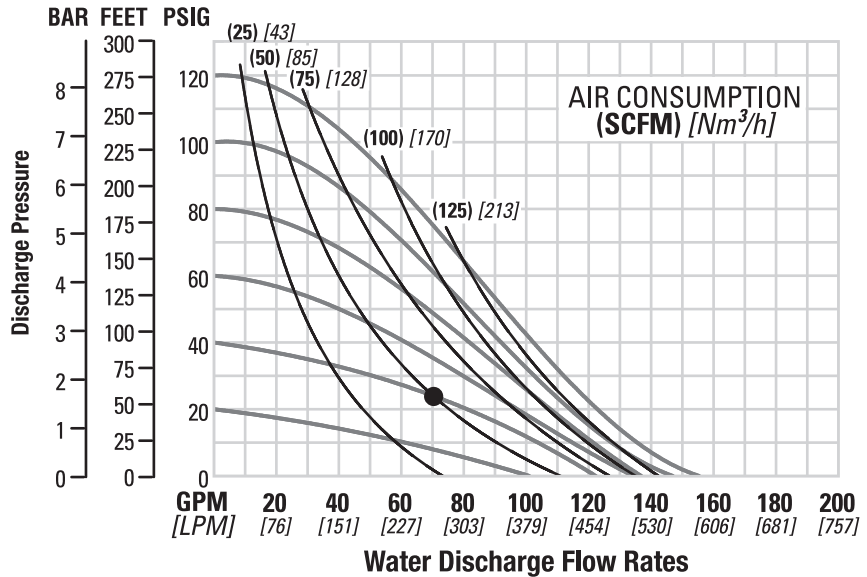
**P800 PLASTIC
ULTRA-FLEX™-FITTED**

Ship Weight..... Polypropylene 32 kg (70 lb)
PVDF 45 kg (99 lb)
Air Inlet 13 mm (1/2")
Inlet 51 mm (2")
Outlet 51 mm (2")
Suction Lift 4.84 m Dry (15.89')
8.65 m Wet (28.4')
Disp. per Stroke¹ 1.73 L (0.457 gal)
Max. Flow Rate 588 lpm (155 gpm)
Max. Size Solids..... 6.4 mm (1/4")

¹Displacement per stroke was calculated at 4.8 bar (70 psig) air inlet pressure against a 2.1 bar (30 psig) head pressure.

Example: To pump 265 lpm (70 gpm) against a discharge head pressure of 1.7 bar (24 psig) requires 2.8 bar (40 psig) and 85 Nm³/h (50 scfm) air consumption.

Caution: Do not exceed 8.6 bar (125 psig) air supply pressure.



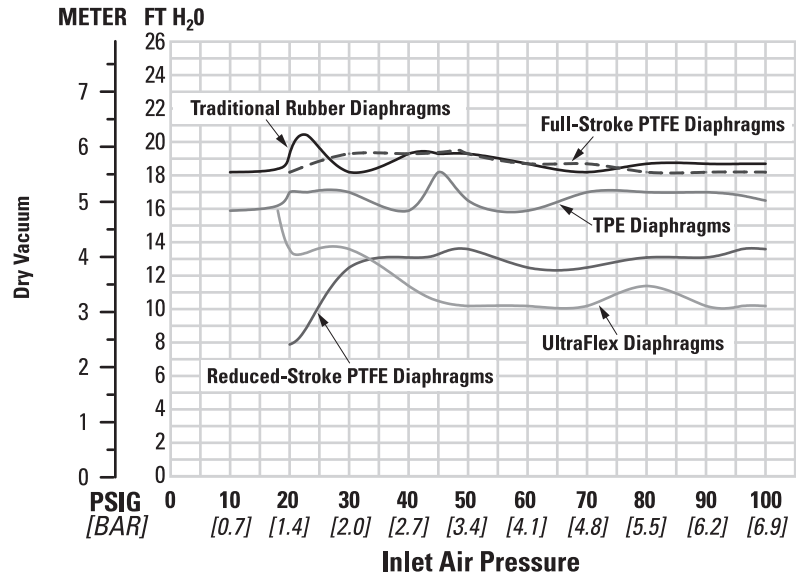
Flow rates indicated on chart were determined by pumping water.

For optimum life and performance, pumps should be specified so that daily operation parameters will fall in the center of the pump's performance curve.

SUCTION-LIFT CURVES

**P800 PLASTIC
SUCTION-LIFT CAPABILITY**

Suction-lift curves are calibrated for pumps operating at 305 m (1,000') above sea level. This chart is meant to be a guide only. There are many variables that can affect your pump's operating characteristics. The number of intake and discharge elbows, viscosity of pumping fluid, elevation (atmospheric pressure) and pipe friction loss all affect the amount of suction-lift your pump will attain.

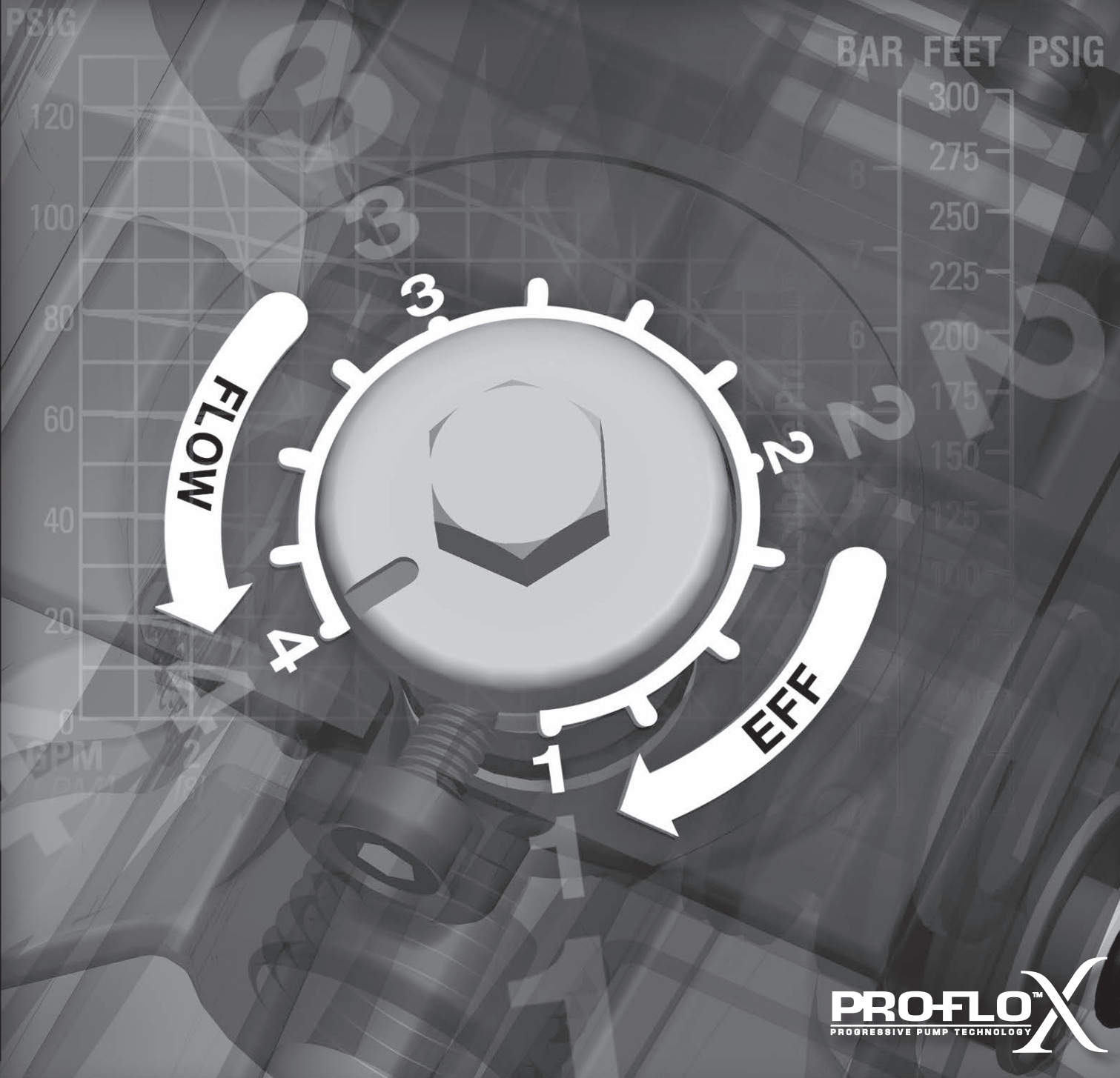


NOTES

PX800

P L A S T I C

WILDEN®



PROFLO™
PROGRESSIVE PUMP TECHNOLOGY

PX800 PERFORMANCE



Pro-Flo X™ Operating Principle

The Pro-Flo X™ air distribution system with the revolutionary Efficiency Management System (EMS™) offers flexibility never before seen in the world of AODD pumps. The EMS is simple and easy to use. With the turn of an integrated

control dial, the operator can select the optimal balance of flow and efficiency that best meets the application needs. Pro-Flo X™ provides higher

performance, lower operational costs and flexibility that exceeds previous industry standards.



<p>Turning the dial changes the relationship between air inlet and exhaust porting.</p>	<p>Each dial setting represents an entirely different flow curve.</p>	<p>Pro-Flo X™ pumps are shipped from the factory on setting 4, which is the highest flow rate setting possible.</p>	<p>Moving the dial from setting 4 causes a decrease in flow and an even greater decrease in air consumption.</p>	<p>When the air consumption decreases more than the flow rate, efficiency is improved and operating costs are reduced.</p>

Example 1

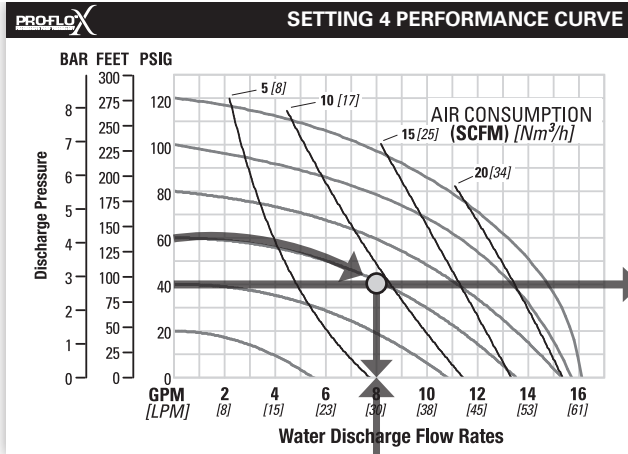


Figure 1

Example data point = **8.2** GPM

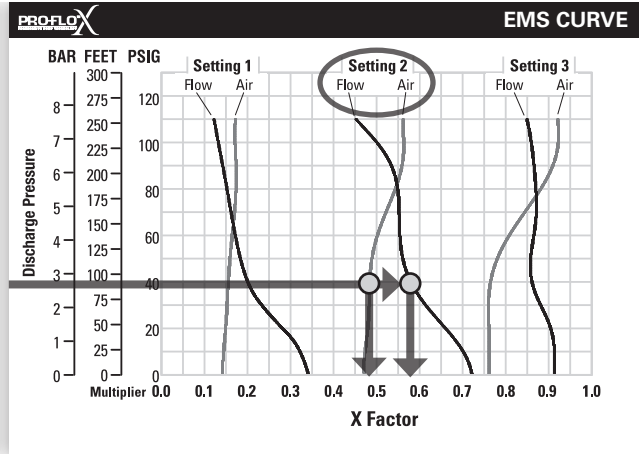


Figure 2

Example data point = **0.58** flow multiplier
0.48 air multiplier

This is an example showing how to determine flow rate and air consumption for your Pro-Flo X™ pump using the Efficiency Management System (EMS) curve and the performance curve. For this example we will be using 4.1 bar (60 psig) inlet air pressure and 2.8 bar (40 psig) discharge pressure and EMS setting 2.

Step 1: Identifying performance at setting 4. Locate the curve that represents the flow rate of the pump with 4.1 bar (60 psig) air inlet pressure. Mark the point where this curve crosses the horizontal line representing 2.8 bar (40 psig) discharge pressure (Figure 1). After locating your performance point on the flow curve, draw a vertical line downward until reaching the bottom scale on the chart. Identify the flow rate (in this case, 8.2 gpm). Observe location of performance point relative to air consumption curves and approximate air consumption value (in this case, 9.8 scfm).

Step 2: Determining flow and air X Factors. Locate your discharge pressure [2.8 bar (40 psig)] on the vertical axis of the EMS curve (Figure 2). Follow along the 2.8 bar (40 psig) horizontal line until intersecting both flow and air curves for your desired EMS setting (in this case, setting 2). Mark the points where the EMS curves intersect the horizontal discharge pressure line. After locating your EMS points on the

EMS curve, draw vertical lines downward until reaching the bottom scale on the chart. This identifies the flow X Factor (in this case, 0.58) and air X Factor (in this case, 0.48).

Step 3: Calculating performance for specific EMS setting. Multiply the flow rate (8.2 gpm) obtained in Step 1 by the flow X Factor multiplier (0.58) in Step 2 to determine the flow rate at EMS setting 2. Multiply the air consumption (9.8 scfm) obtained in Step 1 by the air X Factor multiplier (0.48) in Step 2 to determine the air consumption at EMS setting 2 (Figure 3).

8.2 gpm	(flow rate for setting 4)
.58	(flow X Factor setting 2)
4.8 gpm	(flow rate for setting 2)
9.8 scfm	(air consumption for setting 4)
.48	(air X Factor setting 2)
4.7 scfm	(air consumption for setting 2)

Figure 3

The flow rate and air consumption at Setting 2 are found to be 18.2 lpm (4.8 gpm) and 7.9 Nm³/h (4.7 scfm) respectively.

Example 2.1

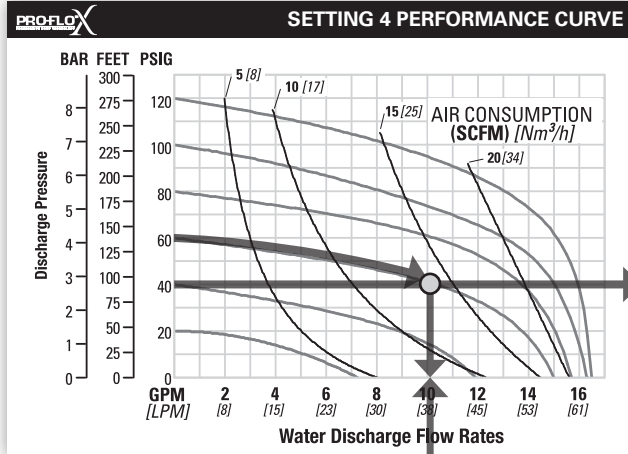


Figure 4

Example data point = **10.2** gpm

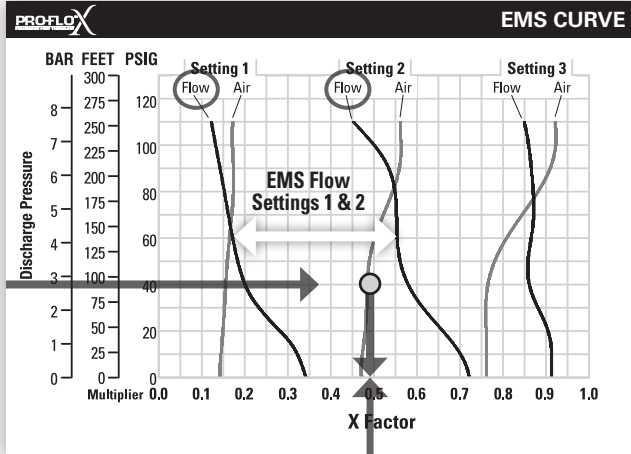


Figure 5

0.49 flow multiplier

This is an example showing how to determine the inlet air pressure and the EMS setting for your Pro-Flo X™ pump to optimize the pump for a specific application. For this example we will be using an application requirement of 18.9 lpm (5 gpm) flow rate against 2.8 bar (40 psig) discharge pressure. This example will illustrate how to calculate the air consumption that could be expected at this operational point.

DETERMINE EMS SETTING

Step 1: Establish inlet air pressure. Higher air pressures will typically allow the pump to run more efficiently, however, available plant air pressure can vary greatly. If an operating pressure of 6.9 bar (100 psig) is chosen when plant air frequently dips to 6.2 bar (90 psig) pump performance will vary. Choose an operating pressure that is within your compressed air system's capabilities. For this example we will choose 4.1 bar (60 psig).

Step 2: Determine performance point at setting 4. For this example an inlet air pressure of 4.1 bar (60 psig) inlet air pressure has been chosen. Locate the curve that represents the performance of the pump with 4.1 bar (60 psig) inlet air pressure. Mark the point where this curve crosses the horizontal line representing 2.8 bar (40 psig) discharge pressure. After locating this point on the flow curve, draw a vertical line downward until reaching the bottom scale on the chart and identify the flow rate.

In our example it is 38.6 lpm (10.2 gpm). This is the setting 4 flow rate. Observe the location of the performance point relative to air consumption curves and approximate air consumption value. In our example setting 4 air consumption is 24 Nm³/h (14 scfm). (See Figure 4.)

Step 3: Determine flow X Factor. Divide the required flow rate 18.9 lpm (5 gpm) by the setting 4 flow rate 38.6 lpm (10.2 gpm) to determine the flow X Factor for the application.

$$5 \text{ gpm} / 10.2 \text{ gpm} = 0.49 \text{ (flow X Factor)}$$

Step 4: Determine EMS setting from the flow X Factor. Plot the point representing the flow X Factor (0.49) and the application discharge pressure 2.8 bar (40 psig) on the EMS curve. This is done by following the horizontal 2.8 bar (40 psig) discharge pressure line until it crosses the vertical 0.49 X Factor line. Typically, this point lies between two flow EMS setting curves (in this case, the point lies between the flow curves for EMS setting 1 and 2). Observe the location of the point relative to the two curves it lies between and approximate the EMS setting (Figure 5). For more precise results you can mathematically interpolate between the two curves to determine the optimal EMS setting.

For this example the EMS setting is 1.8.

Example 2.2

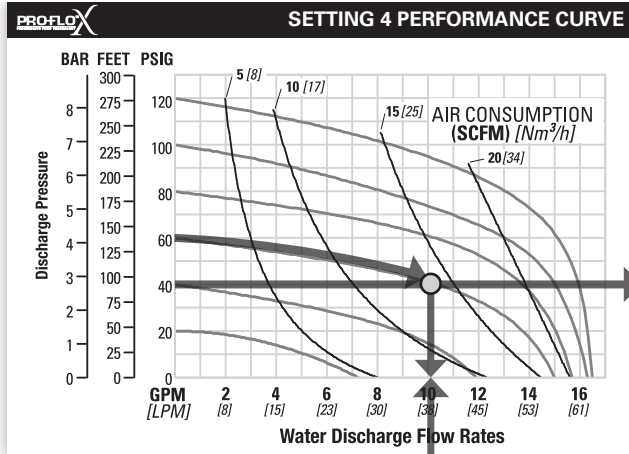


Figure 6

Example data point = **10.2** gpm

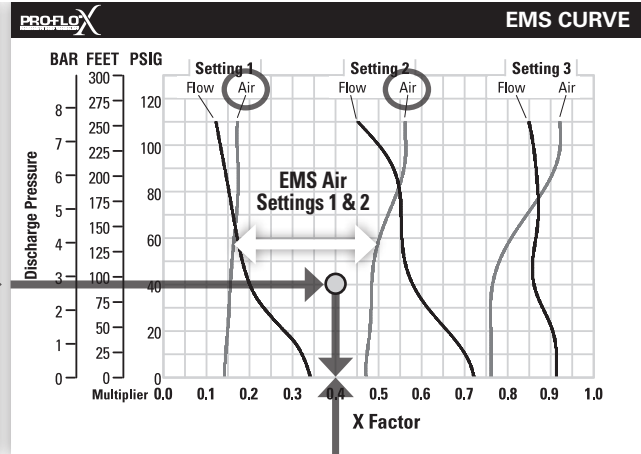


Figure 7

Example data point = **0.40** air multiplier

Determine air consumption at a specific EMS setting.

Step 1: Determine air X Factor. In order to determine the air X Factor, identify the two air EMS setting curves closest to the EMS setting established in example 2.1 (in this case, the point lies between the air curves for EMS setting 1 and 2). The point representing your EMS setting (1.8) must be approximated and plotted on the EMS curve along the horizontal line representing your discharge pressure (in this case, 40 psig). This air point is different than the flow point plotted in example 2.1. After estimating (or interpolating) this point on the curve, draw a vertical line downward until reaching the bottom scale on the chart and identify the air X Factor (Figure 7).

For this example the air X Factor is **0.40**.

Step 2: Determine air consumption. Multiply your setting 4 air consumption (14 scfm) value by the air X Factor obtained above (0.40) to determine your actual air consumption.

$$14 \text{ scfm} \times 0.40 = 5.6 \text{ SCFM}$$

In summary, for an application requiring 18.9 lpm (5 gpm) against 2.8 bar (40 psig) discharge pressure, the pump inlet air pressure should be set to 4.1 bar (60 psig) and the EMS dial should be set to 1.8. The pump would then consume 9.5 Nm³/h (5.6 scfm) of compressed air.

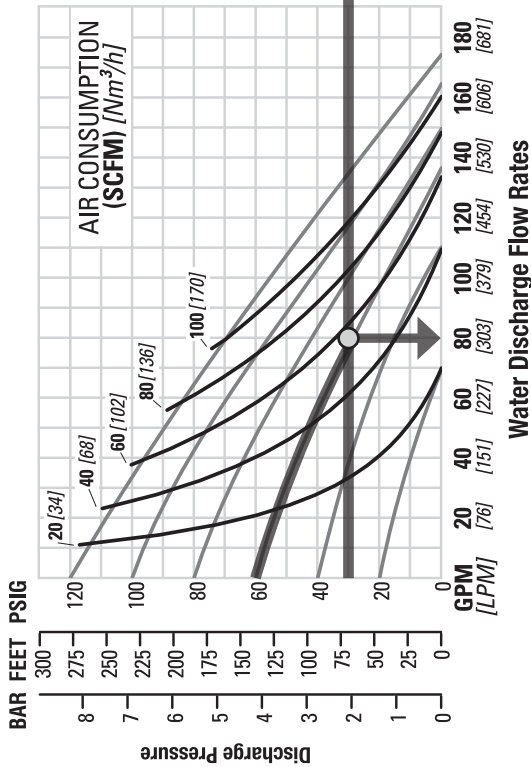
PX800 PLASTIC RUBBER-FITTED



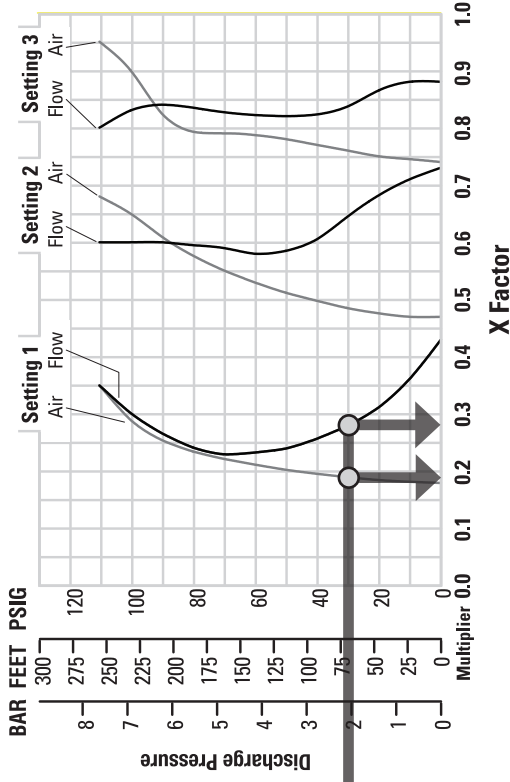
PERFORMANCE



SETTING 4 PERFORMANCE CURVE



EMS CURVE



TECHNICAL DATA

Ship Weight Polypropylene 33 kg (70 lb)
 PVDF 45 kg (99 lb)
Air Inlet 19 mm (3/4")
Inlet 51 mm (2")
Outlet 51 mm (2")
Suction-Lift 6.1 m Dry (19.9')
 9.0 m Wet (29.5')
Disp. per Stroke ¹ 2.6 L (0.70 gal)
Max. Flow Rate 693 lpm (183 gpm)
Max. Size Solids 6.4 mm (1/4")

¹Displacement per stroke was calculated at 4.8 bar (70 psig) air inlet pressure against a 2.1 bar (30 psig) head pressure.

The Efficiency Management System (EMS) can be used to optimize the performance of your Wilden pump for specific applications. The pump is delivered with the EMS adjusted to setting 4, which allows maximum flow.

The EMS curve allows the pump user to determine flow and air consumption at each EMS setting. For any EMS setting and discharge pressure, the X factor is used as a multiplier with the original values from the setting 4 performance curve to calculate the actual flow and air consumption values for that specific EMS setting. **NOTE:** You can interpolate between the setting curves for operation at intermediate EMS settings.

Example:

A PX800 plastic, rubber-fitted pump operating at EMS setting 4 achieved a flow rate of 303 lpm (80 gpm) using 88 Nm³/h (52 scfm) of air when run at 4.1 bar (60 psig) air inlet pressure and 2.1 bar (30 psig) discharge pressure (see dot on performance curve).

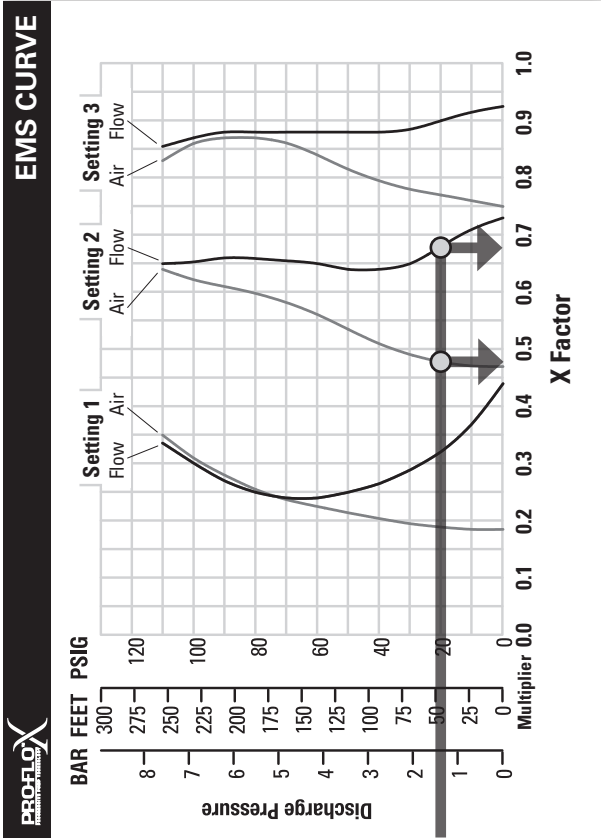
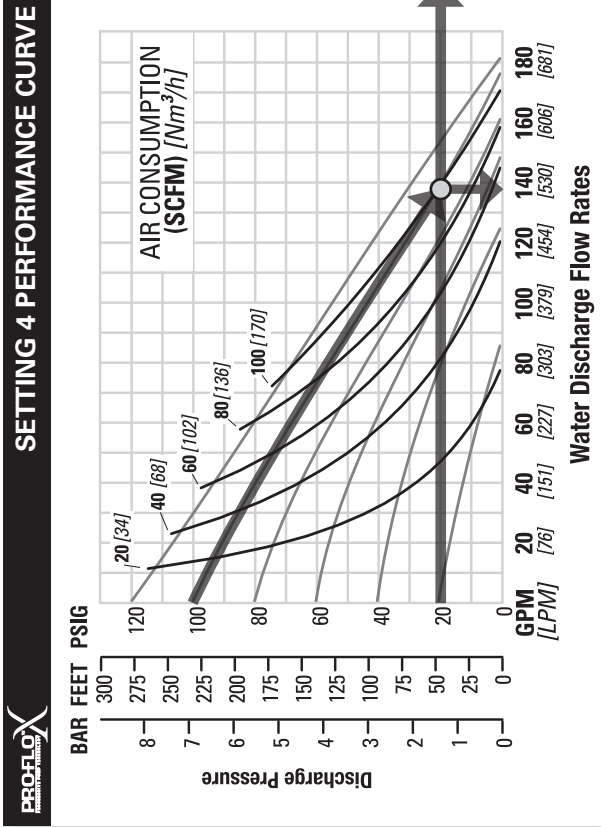
The end user did not require that much flow and wanted to reduce air consumption at his facility. He determined that EMS setting 1 would meet his needs. At 1.4 bar (20 psig) discharge pressure and EMS setting 1, the flow X factor is 0.28 and the air X factor is 0.19 (see dots on EMS curve).

Multiplying the original setting 4 values by the X factors provides the setting 1 flow rate of 85 lpm (22 gpm) and an air consumption of 17 Nm³/h (10 scfm). The flow rate was reduced by 72% while the air consumption was reduced by 81%, thus providing increased efficiency.

For a detailed example for how to set your EMS, see beginning of performance curve section.

Caution: Do not exceed 8.6 bar (125 psig) air supply pressure.

PX800 PLASTICTPE-FITTED



TECHNICAL DATA

Ship Weight Polypropylene 33 kg (70 lb)
Air Inlet PVDF 45 kg (99 lb)
Inlet 19 mm (3/4")
Outlet 51 mm (2")
Suction-Lift 5.4 m Dry (17.6')
 9.0 m Wet (29.5')
Disp. per Stroke ¹ 2.6 L (0.70 gal)
Max. Flow Rate 689 lpm (182 gpm)
Max. Size Solids 6.4 mm (1/4")

¹Displacement per stroke was calculated at 4.8 bar (70 psig) air inlet pressure against a 2.1 bar (30 psig) head pressure.

EXAMPLE

A PX800 plastic, TPE-fitted pump operating at EMS setting 4, achieved a flow rate of 522 lpm (138 gpm) using 170 Nm^3/h (100 scfm) of air when run at 6.9 bar (100 psig) air inlet pressure and 1.4 bar (20 psig) discharge pressure (see dot on performance curve).

The end user did not require that much flow and wanted to reduce air consumption at his facility. He determined that EMS setting 2 would meet his needs. At 1.4 bar (20 psig) discharge pressure and EMS setting 2, the flow X factor is 0.68 and the air X factor is 0.48 (see dots on EMS curve).

Multiplying the original setting 4 values by the \bar{x} factors provides the setting 2 flow rate of 355 lpm (94 gpm) and an air consumption of 82 Nm^3/h (48 scfm). The flow rate was reduced by 32% while the air consumption was reduced by 52%, thus providing increased efficiency.

For a detailed example for how to set your EMS, see beginning of performance curve section.

Caution: Do not exceed 8.6 bar (125 psig) air supply pressure.

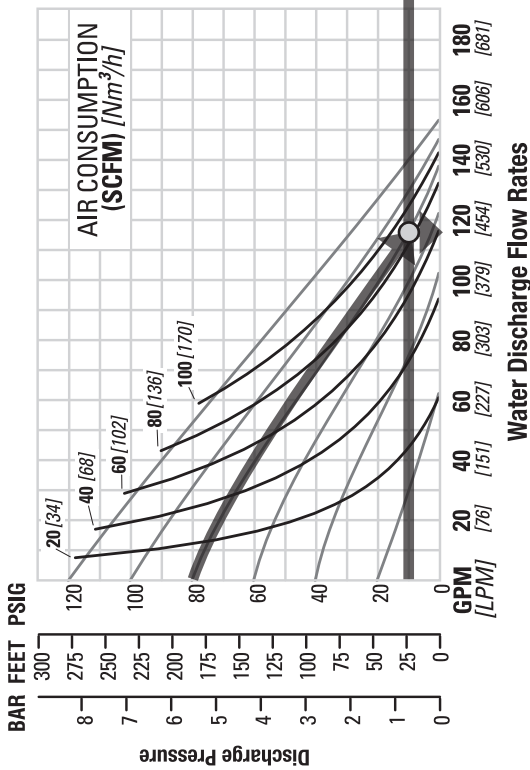
PX800 PLASTIC REDUCED-STROKE PTFE-FITTED



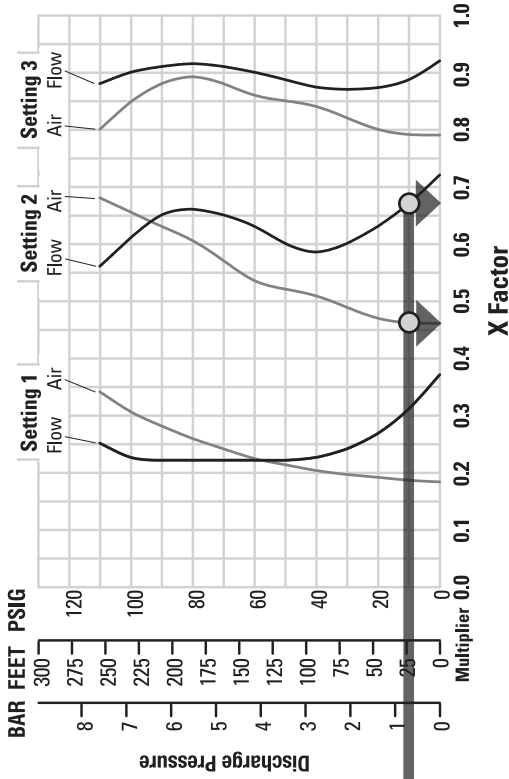
PERFORMANCE



SETTING 4 PERFORMANCE CURVE



EMS CURVE



TECHNICAL DATA

Ship Weight Polypropylene 33 kg (70 lb)
	PVDF 45 kg (99 lb)
Air Inlet 19 mm (3/4")
Inlet 51 mm (2")
Outlet 51 mm (2")
Suction-Lift 4.5 m Dry (14.8')
	7.2 m Wet (23.8')
Disp. per Stroke ¹ 1.7 L (0.46 gal)
Max. Flow Rate 579 lpm (153 gpm)
Max. Size Solids 6.4 mm (1/4")

¹Displacement per stroke was calculated at 4.8 bar (70 psig) air inlet pressure against a 2.1 bar (30 psig) head pressure.

The Efficiency Management System (EMS) can be used to optimize the performance of your Wilden pump for specific applications. The pump is delivered with the EMS adjusted to setting 4, which allows maximum flow.

The EMS curve allows the pump user to determine flow and air consumption at each EMS setting. For any EMS setting and discharge pressure, the X factor is used as a multiplier with the original values from the setting 4 performance curve to calculate the actual flow and air consumption values for that specific EMS setting. **NOTE:** You can interpolate between the setting curves for operation at intermediate EMS settings.

EXAMPLE

A PX800 plastic, reduced-stroke PTFE-fitted pump operating at EMS setting 4, achieved a flow rate of 439 lpm (116 gpm) using 146 Nm³/h (86 scfm) of air when run at 5.5 bar (80 psig) air inlet pressure and 0.7 bar (10 psig) discharge pressure (see dot on performance curve).

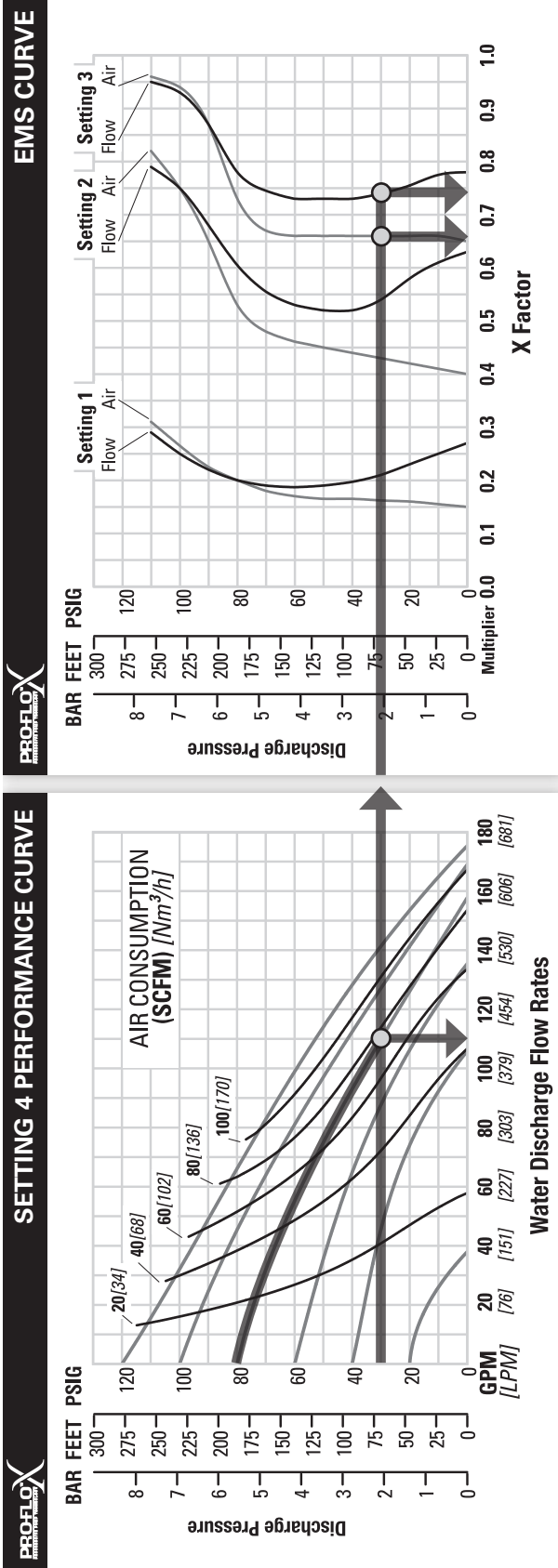
The end user did not require that much flow and wanted to reduce air consumption at his facility. He determined that EMS setting 2 would meet his needs. At 0.7 bar (10 psig) discharge pressure and EMS setting 2, the flow X factor is 0.67 and the air X factor is 0.46 (see dots on EMS curve).

Multiplying the original setting 4 values by the X factors provides the setting 2 flow rate of 294 lpm (78 gpm) and an air consumption of 67 Nm³/h (40 scfm). The flow rate was reduced by 33% while the air consumption was reduced by 54%, thus providing increased efficiency.

For a detailed example for how to set your EMS, see beginning of performance curve section.

Caution: Do not exceed 8.6 bar (125 psig) air supply pressure.

PX800 PLASTIC FULL-STROKE PTFE-FITTED



TECHNICAL DATA

- Ship Weight Polypropylene 33 kg (70 lb)
PVDF 45 kg (99 lb)
- Air Inlet 19 mm (3/4")
- Inlet 51 mm (2")
- Outlet 51 mm (2")
- Suction-Lift 5.9m Dry (19.5')
9.0 m Wet (29.5')
- Disp. per Stroke¹ 2.5 L (0.67 gal)
- Max. Flow Rate 664 lpm (175.4 gpm)
- Max. Size Solids 6.4 mm (1/4")

¹Displacement per stroke was calculated at 4.8 bar (70 psig) air inlet pressure against a 2.1 bar (30 psig) head pressure.

The Efficiency Management System (EMS) can be used to optimize the performance of your Wilden pump for specific applications. The pump is delivered with the EMS adjusted to setting 4, which allows maximum flow.

The EMS curve allows the pump user to determine flow and air consumption at each EMS setting. For any EMS setting and discharge pressure, the X factor is used as a multiplier with the original values from the setting 4 performance curve to calculate the actual flow and air consumption values for that specific EMS setting. **NOTE:** You can interpolate between the setting curves for operation at intermediate EMS settings.

EXAMPLE

A PX800 plastic, full-stroke PTFE-fitted pump operating at EMS setting 4, achieved a flow rate of 416 lpm (110 gpm) using 129 Nm³/h (76 scfm) of air when run at 5.5 bar (80 psig) air inlet pressure and 2.1 bar (30 psig) discharge pressure (see dot on performance curve).

The end user did not require that much flow and wanted to reduce air consumption at his facility. He determined that EMS setting 3 would meet his needs. At 2.1 bar (30 psig) discharge pressure and EMS setting 3, the flow X factor is 0.74 and the air X factor is 0.66 (see dots on EMS curve).

Multiplying the original setting 4 values by the X factors provides the setting 3 flow rate of 308 lpm (81 gpm) and an air consumption of 85 Nm³/h (50 scfm). The flow rate was reduced by 26% while the air consumption was reduced by 34%, thus providing increased efficiency.

For a detailed example for how to set your EMS, see beginning of performance curve section.

Caution: Do not exceed 8.6 bar (125 psig) air supply pressure.

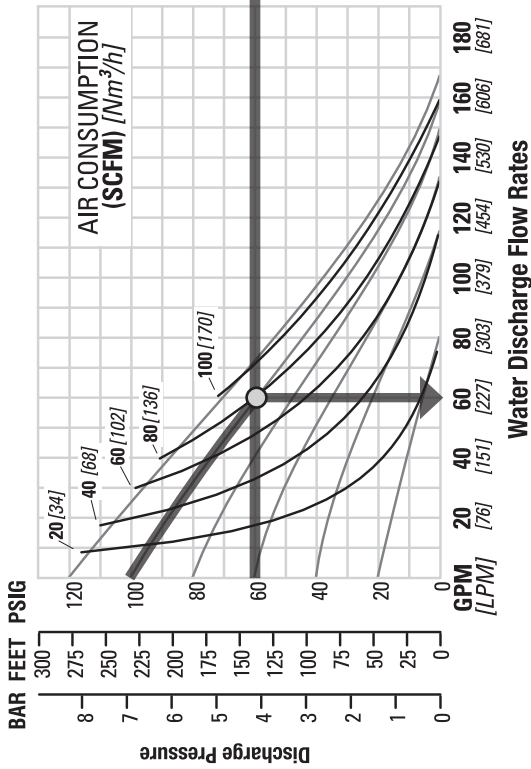
PX800 PLASTIC ULTRA-FLEX™-FITTED



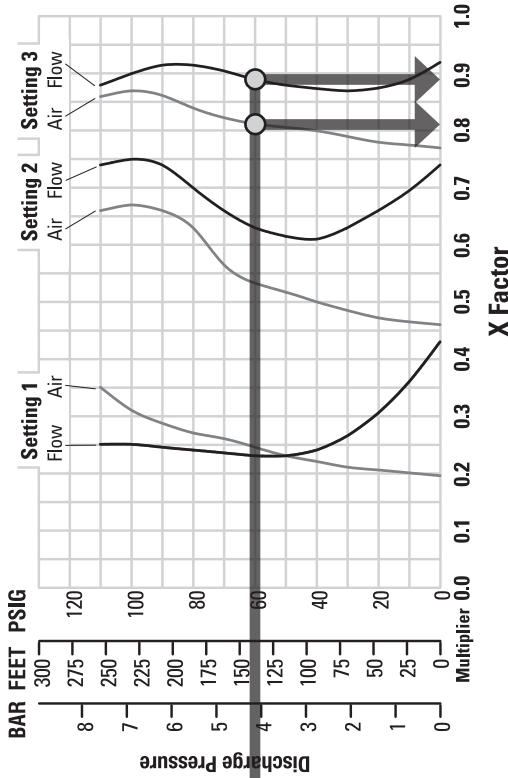
PERFORMANCE



SETTING 4 PERFORMANCE CURVE



EMS CURVE



TECHNICAL DATA

Ship Weight	Polypropylene 33 kg (70 lb)
	PVDF 45 kg (99 lb)
Air Inlet	19 mm (3/4")
Inlet	51 mm (2")
Outlet	51 mm (2")
Suction-Lift	4.8 m Dry (15.9')
	7.9 m Wet (26.1')
Disp. per Stroke ¹	1.7 L (0.45 gal)
Max. Flow Rate	.632 lpm (167 gpm)
Max. Size Solids	6.4 mm (1/4")

¹Displacement per stroke was calculated at 4.8 bar (70 psig) air inlet pressure against a 2.1 bar (30 psig) head pressure.

The Efficiency Management System (EMS) can be used to optimize the performance of your Wilden pump for specific applications. The pump is delivered with the EMS adjusted to setting 4, which allows maximum flow.

The EMS curve allows the pump user to determine flow and air consumption at each EMS setting. For any EMS setting and discharge pressure, the X factor is used as a multiplier with the original values from the setting 4 performance curve to calculate the actual flow and air consumption values for that specific EMS setting. **NOTE:** You can interpolate between the setting curves for operation at intermediate EMS settings.

EXAMPLE

A PX800 plastic, Ultra-Flex-fitted pump operating at EMS setting 4, achieved a flow rate of 220 lpm (58 gpm) using 131 Nm^3/h (77 scfm) of air when run at 6.9 bar (100 psig) air inlet pressure and 4.1 bar (60 psig) discharge pressure (see dot on performance curve).

The end user did not require that much flow and wanted to reduce air consumption at his facility. He determined that EMS setting 3 would meet his needs. At 4.1 bar (60 psig) discharge pressure and EMS setting 3, the flow X factor is 0.89 and the air X factor is 0.81 (see dots on EMS curve).

Multiplying the original setting 4 values by the X factors provides the setting 3 flow rate of 195 lpm (52 gpm) and an air consumption of 106 Nm^3/h (62 scfm). The flow rate was reduced by 11% while the air consumption was reduced by 19%, thus providing increased efficiency.

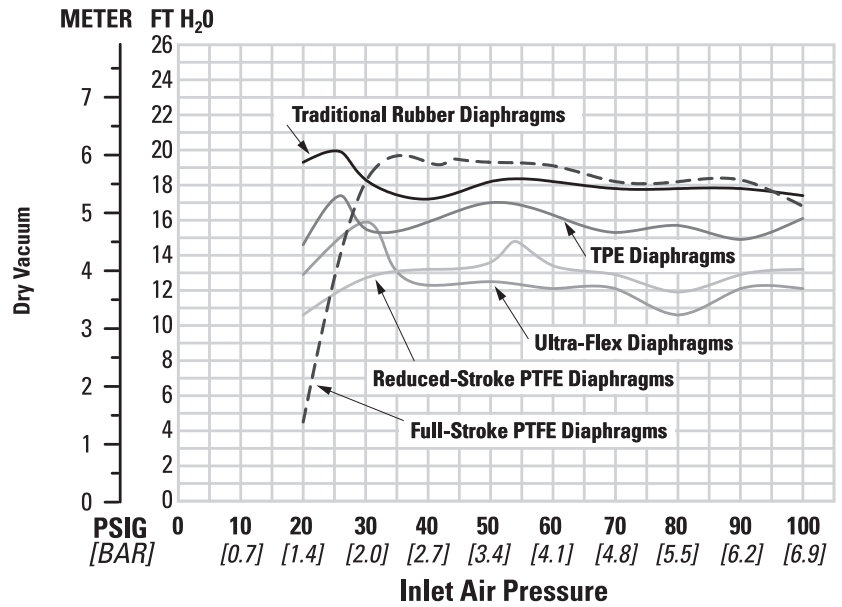
For a detailed example for how to set your EMS, see beginning of performance curve section.

Caution: Do not exceed 8.6 bar (125 psig) air supply pressure.

SUCTION-LIFT CURVE

**PX800 PLASTIC
SUCTION-LIFT CAPABILITY**

Suction-lift curves are calibrated for pumps operating at 305 m (1,000') above sea level. This chart is meant to be a guide only. There are many variables that can affect your pump's operating characteristics. The number of intake and discharge elbows, viscosity of pumping fluid, elevation (atmospheric pressure) and pipe friction loss all affect the amount of suction-lift your pump will attain.



NOTES

SUGGESTED INSTALLATION

Wilden pumps are designed to meet the performance requirements of even the most demanding pumping applications. They have been designed and manufactured to the highest standards and are available in a variety of liquid path materials to meet your chemical resistance needs. Refer to the performance section of this manual for an in-depth analysis of the performance characteristics of your pump. Wilden offers the widest variety of elastomer options in the industry to satisfy temperature, chemical compatibility, abrasion resistance and flex concerns.

The suction pipe size should be at least the equivalent or larger than the diameter size of the suction inlet on your Wilden pump. The suction hose must be non-collapsible, reinforced type as these pumps are capable of pulling a high vacuum. Discharge piping should also be the equivalent or larger than the diameter of the pump discharge which will help reduce friction losses. It is critical that all fittings and connections are airtight or a reduction or loss of pump suction capability will result.

INSTALLATION: Months of careful planning, study and selection efforts can result in unsatisfactory pump performance if installation details are left to chance.

Premature failure and long-term dissatisfaction can be avoided if reasonable care is exercised throughout the installation process.

LOCATION: Noise, safety and other logistical factors usually dictate where equipment will be situated on the production floor. Multiple installations with conflicting requirements can result in congestion of utility areas, leaving few choices for additional pumps.

Within the framework of these and other existing conditions, every pump should be located in such a way that six key factors are balanced against each other to maximum advantage.

ACCESS: First of all, the location should be accessible. If it's easy to reach the pump, maintenance personnel will have an easier time carrying out routine inspections and adjustments. Should major repairs become necessary, ease of access can play a key role in speeding the repair process and reducing total downtime.

AIR SUPPLY: Every pump location should have an air line large enough to supply the volume of air necessary to achieve the desired pumping rate. Use air pressure up to a maximum of 8.6 bar (125 psig) depending on pumping requirements.

For best results, the pumps should use a 5 μ (micron) air filter, needle valve and regulator. The use of an air filter before the pump will ensure that the majority of any pipeline contaminants will be eliminated.

SOLENOID OPERATION: When operation is controlled by a solenoid valve in the air line, three-way valves should be used. This valve allows trapped air between the valve and the pump to bleed off which improves pump performance. Pumping volume can be estimated by counting the number of strokes per minute and then multiplying the figure by the displacement per stroke.

MUFFLER: Sound levels are reduced below OSHA specifications using the standard Wilden muffler. Other mufflers can be used to further reduce sound levels, but they usually reduce pump performance.

ELEVATION: Selecting a site that is well within the pump's dynamic lift capability will assure that loss-of-prime issues will be eliminated. In addition, pump efficiency can be adversely affected if proper attention is not given to site location.

PIPING: Final determination of the pump site should not be made until the piping challenges of each possible location have been evaluated. The impact of current and future installations should be considered ahead of time to make sure that inadvertent restrictions are not created for any remaining sites.

The best choice possible will be a site involving the shortest and straightest hook-up of suction and discharge piping. Unnecessary elbows, bends and fittings should be avoided. Pipe sizes should be selected to keep friction losses within practical limits. All piping should be supported independently of the pump. In addition, the piping should be aligned to avoid placing stress on the pump fittings.

Flexible hose can be installed to aid in absorbing the forces created by the natural reciprocating action of the pump. If the pump is to be bolted down to a solid location, a mounting pad placed between the pump and the foundation will assist in minimizing pump vibration. Flexible connections between the pump and rigid piping will also assist in minimizing pump vibration. If quick-closing valves are installed at any point in the discharge system, or if pulsation within a system becomes a problem, a surge suppressor (SD Equalizer[®]) should be installed to protect the pump, piping and gauges from surges and water hammer.

If the pump is to be used in a self-priming application, make sure that all connections are airtight and that the suction lift is within the model's ability. **NOTE:** Materials of construction and elastomer material have an effect on suction-lift parameters. Please refer to the performance section for specifics.

When pumps are installed in applications involving flooded suction or suction head pressures, a gate valve should be installed in the suction line to permit closing of the line for pump service.

Pumps in service with a positive suction head are most efficient when inlet pressure is limited to 0.5–0.7 bar (7–10 psig). Premature diaphragm failure may occur if positive suction is 0.7 bar (10 psig) and higher.

SUBMERSIBLE APPLICATIONS: Pro-Flo X[™] pumps can be used for submersible applications, when using the Pro-Flo X[™] single-point exhaust option.

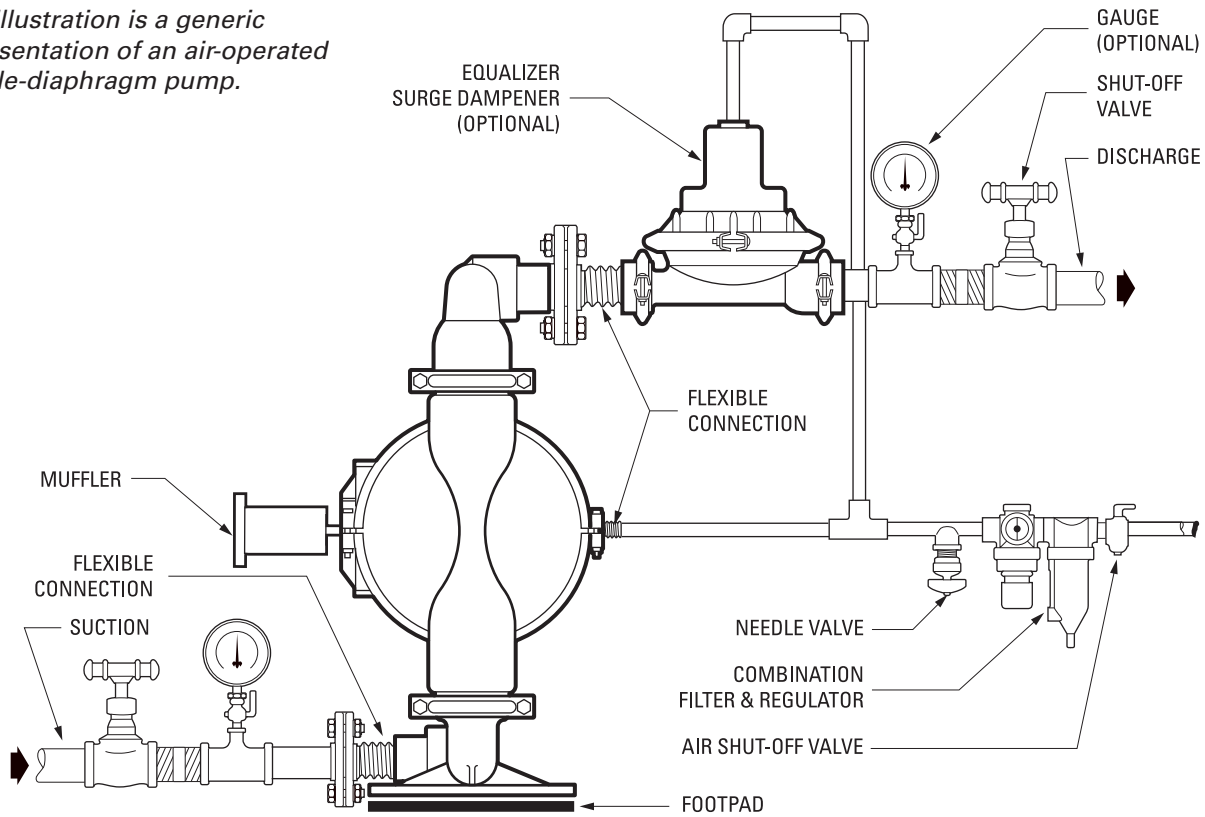
NOTE: Pro-Flo[®] and Accu-Flo[™] pumps are not submersible.

ALL WILDEN PUMPS ARE CAPABLE OF PASSING SOLIDS. A STRAINER SHOULD BE USED ON THE PUMP INTAKE TO ENSURE THAT THE PUMP'S RATED SOLIDS CAPACITY IS NOT EXCEEDED.

CAUTION: DO NOT EXCEED 8.6 BAR (125 PSIG) AIR SUPPLY PRESSURE.

SUGGESTED INSTALLATION

This illustration is a generic representation of an air-operated double-diaphragm pump.



NOTE: In the event of a power failure, the shut-off valve should be closed, if the restarting of the pump is not desirable once power is regained.

AIR-OPERATED PUMPS: To stop the pump from operating in an emergency situation, simply close the shut-off valve (user-supplied) installed in the air supply line. A properly-functioning valve will stop the air supply to the pump, therefore stopping output. This shut-off valve should be located far enough away from the pumping equipment such that it can be reached safely in an emergency situation.

SUGGESTED OPERATION & MAINTENANCE

OPERATION: The P800 and PX800 are pre-lubricated and do not require in-line lubrication. Additional lubrication will not damage the pump, however if the pump is heavily lubricated by an external source, the pump's internal lubrication may be washed away. If the pump is then moved to a non-lubricated location, it may need to be disassembled and re-lubricated as described in the DISASSEMBLY/REASSEMBLY INSTRUCTIONS.

Pump discharge rate can be controlled by limiting the volume and/or pressure of the air supply to the pump. An air regulator is used to regulate air pressure. A needle valve is used to regulate volume. Pump discharge rate can also be controlled by throttling the pump discharge by partially closing a valve in the discharge line of the pump. This action increases friction loss which reduces flow rate. (See Section 5.) This is useful when the need exists to control the pump from a remote location. When the pump discharge pressure equals or exceeds the air supply pressure, the pump will stop; no bypass or pressure relief valve is needed, and pump damage will not occur. The pump has reached a "deadhead" situation and can

be restarted by reducing the fluid discharge pressure or increasing the air inlet pressure. The Wilden P800 and PX800 pumps run solely on compressed air and do not generate heat, therefore your process fluid temperature will not be affected.

MAINTENANCE AND INSPECTIONS: Since each application is unique, maintenance schedules may be different for every pump. Frequency of use, line pressure, viscosity and abrasiveness of process fluid all affect the parts life of a Wilden pump. Periodic inspections have been found to offer the best means for preventing unscheduled pump downtime. Personnel familiar with the pump's construction and service should be informed of any abnormalities that are detected during operation.

RECORDS: When service is required, a record should be made of all necessary repairs and replacements. Over a period of time, such records can become a valuable tool for predicting and preventing future maintenance problems and unscheduled downtime. In addition, accurate records make it possible to identify pumps that are poorly suited to their applications.

TROUBLESHOOTING

Pump will not run or runs slowly.

1. Ensure that the air inlet pressure is at least 0.4 bar (5 psig) above startup pressure and that the differential pressure (the difference between air inlet and liquid discharge pressures) is not less than 0.7 bar (10 psig).
2. Check air inlet filter for debris (see SUGGESTED INSTALLATION).
3. Check for extreme air leakage (blow by) that would indicate worn seals/bores in the air valve, pilot spool and main shaft.
4. Disassemble pump and check for obstructions in the air passageways or objects that would obstruct the movement of internal parts.
5. Check for sticking ball check valves. If material being pumped is not compatible with pump elastomers, swelling may occur. Replace ball check valves and seals with proper elastomers. Also, as the check valve balls wear out, they become smaller and can become stuck in the seats. In this case, replace balls and seats.
6. Check for broken inner piston that will cause the air valve spool to be unable to shift.
7. Remove plug from pilot spool exhaust.

Pump runs but little or no product flows.

1. Check for pump cavitation; slow pump speed down to allow thick material to flow into liquid chambers.
2. Verify that vacuum required to lift liquid is not

greater than the vapor pressure of the material being pumped (cavitation).

3. Check for sticking ball check valves. If material being pumped is not compatible with pump elastomers, swelling may occur. Replace ball check valves and seats with proper elastomers. Also, as the check valve balls wear out, they become smaller and can become stuck in the seats. In this case, replace balls and seats.

Pump air valve freezes.

1. Check for excessive moisture in compressed air. Either install a dryer or hot air generator for compressed air. Alternatively, a coalescing filter may be used to remove the water from the compressed air in some applications.

Air bubbles in pump discharge.

1. Check for ruptured diaphragm.
2. Check tightness of outer pistons (refer to Section 7).
3. Check tightness of fasteners and integrity of O-rings and seals, especially at intake manifold.
4. Ensure pipe connections are airtight.

Product comes out air exhaust.

1. Check for diaphragm rupture.
2. Check tightness of outer pistons to shaft.

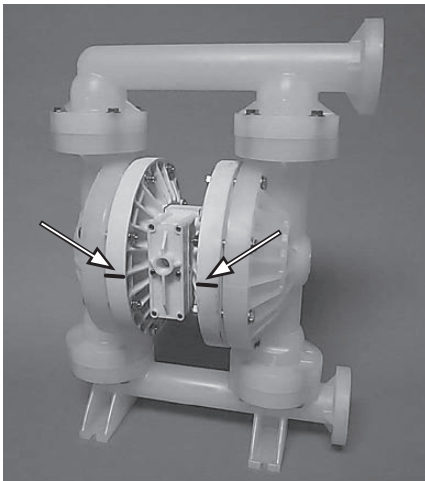
PUMP DISASSEMBLY

Tools Required:

- 3/4" Wrench
- Adjustable Wrench
- Vise equipped w/soft jaws (such as plywood, plastic or other suitable material)

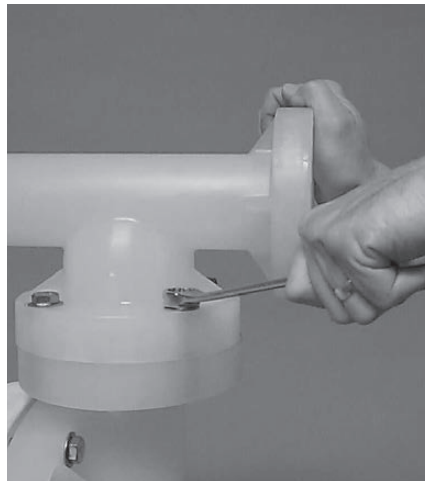
CAUTION: Before any maintenance or repair is attempted, the compressed air line to the pump should be disconnected and all air pressure allowed to bleed from the pump. Disconnect all intake, discharge and air lines. Drain the pump by turning it upside down and allowing any fluid to flow into a suitable container. Be aware of any hazardous effects of contact with your process fluid.

NOTE: The model photographed for these instructions incorporates PTFE diaphragms, balls and seats. Models with rubber diaphragms, balls and seats are the same except where noted.



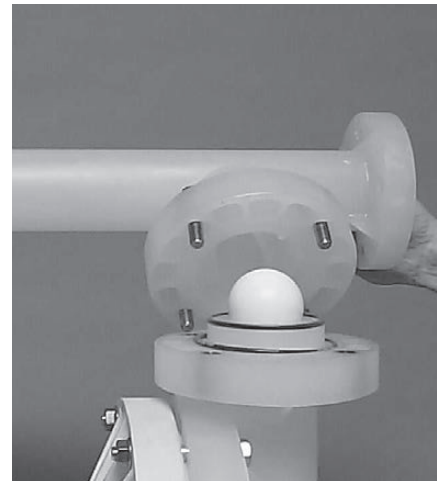
Step 1

Please note alignment marks on liquid chambers. Use to properly align center section with liquid chamber.



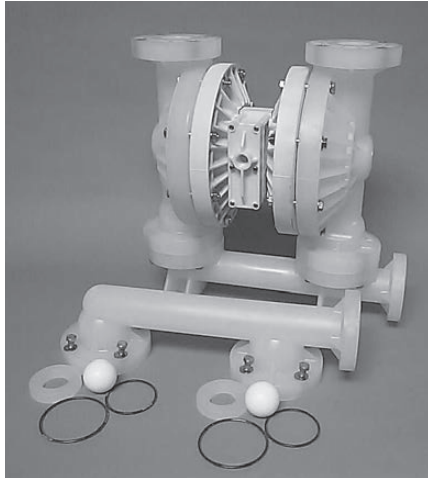
Step 2

Using a 3/4" wrench, loosen the discharge manifold from the liquid chambers.



Step 3

Remove the discharge manifold to expose the valve balls, valve seats and valve seat O-rings.



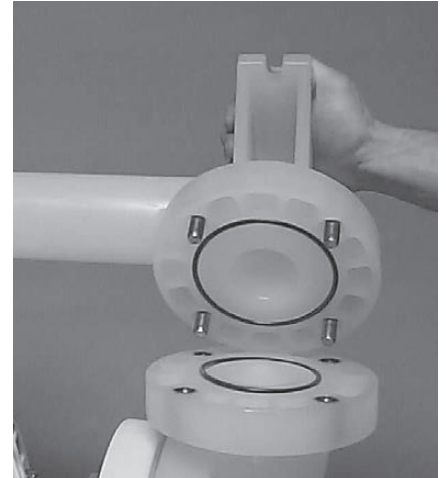
Step 4

Inspect valve balls, valve seats and valve seat O-rings for nicks, gouges, chemical attack or abrasive wear.



Step 5

Using a 3/4" wrench, loosen the inlet manifold from the liquid chambers.



Step 6

Remove the inlet manifold, valve balls, valve seats and valve seat O-rings and inspect for nicks, gouges, chemical attack or abrasive wear.



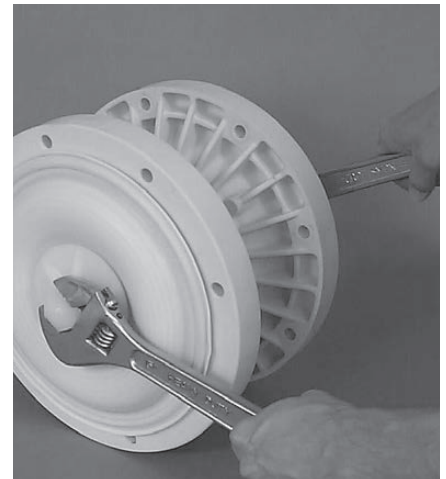
Step 7

Using a 3/4" wrench, remove the liquid chamber fasteners that secure the liquid chamber to the center section.



Step 8

Remove the liquid chamber to expose the diaphragm and outer piston.



Step 9

Using two adjustable wrenches, or rotating both diaphragms by hand (counterclockwise), remove the diaphragm assembly from the center section assembly.

PUMP DISASSEMBLY



Step 10

Due to varying torque values, one of the following two situations may occur:

- 1) The outer piston, diaphragm and inner piston remain attached to the shaft and the entire assembly can be removed from the center section.
- 2) The outer piston, diaphragm and inner piston separate from the shaft, which remains connected to the opposite side diaphragm assembly.



Step 11

Remove diaphragm assembly from shaft, secure shaft with soft jaws (a vise fitted with plywood, plastic or other suitable material) to ensure shaft is not nicked, scratched or gouged. Using an adjustable wrench or rotating counterclockwise by hand, remove diaphragm assembly from shaft.

PRO-FLO[®] AIR DISTRIBUTION SYSTEM (ADS) DISASSEMBLY

Tools Required:

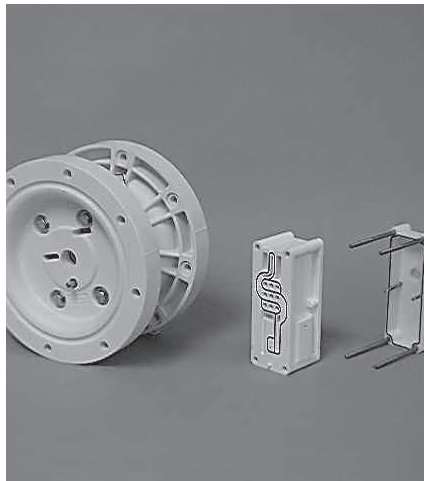
- 3/16" Wrench
- O-Ring Pick

CAUTION: Before any maintenance or repair is attempted, the compressed air line to the pump should be disconnected and all air pressure allowed to bleed from the pump. Disconnect all intake, discharge and air lines. Drain the pump by turning it upside down and allowing any fluid to flow into a suitable container. Be aware of hazardous effects of contact with your process fluid.



Step 1

Using a 3/16" hex head wrench, loosen air valve bolts.



Step 2

Remove muffer plate and air valve bolts from air valve assembly, exposing muffer gasket for inspection. Replace if necessary.



Step 3

Lift away air valve assembly and remove air valve gasket for inspection. Replace if necessary.

PRO-FLO[®] AIR DISTRIBUTION SYSTEM (ADS) DISASSEMBLY



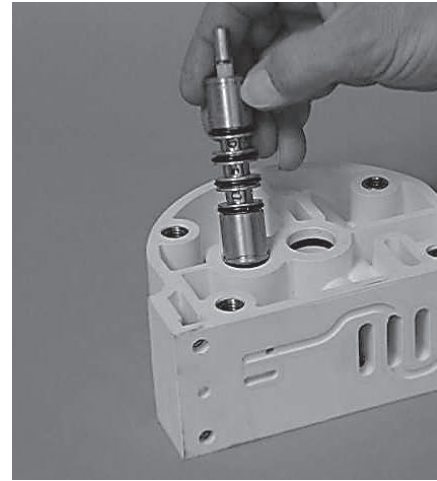
Step 4

Remove air valve end cap to expose air valve spool by simply lifting up on end cap once air valve bolts are removed. **NOTE:** Pro-Flo V™ air valve incorporates an end cap at both ends of the air valve.



Step 5

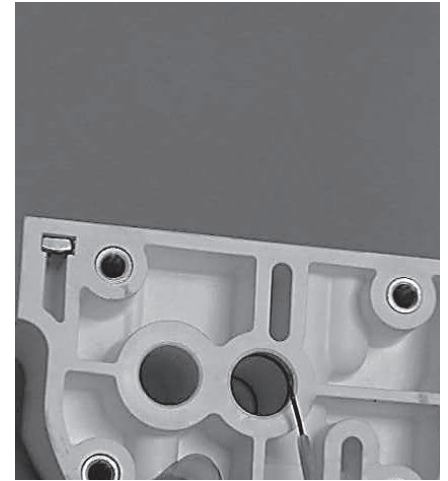
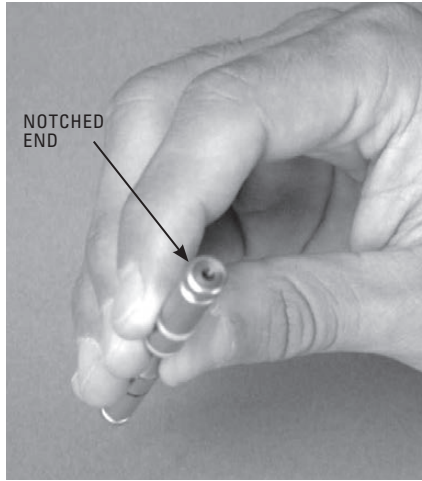
Remove the air valve spool from the air valve body by threading one air valve bolt into the end of the air valve spool and gently sliding the spool out of the air valve body. Inspect seals for signs of wear and replace entire assembly if necessary. Use caution when handling air valve spool to prevent damaging seals. **NOTE:** Seals should not be removed from assembly. Seals are not sold separately.



Step 6

Remove pilot sleeve from center section. To do so, the air chambers must be removed from the center block which will expose the pilot spool sleeve.

PRO-FLO[®] AIR DISTRIBUTION SYSTEM (ADS) DISASSEMBLY



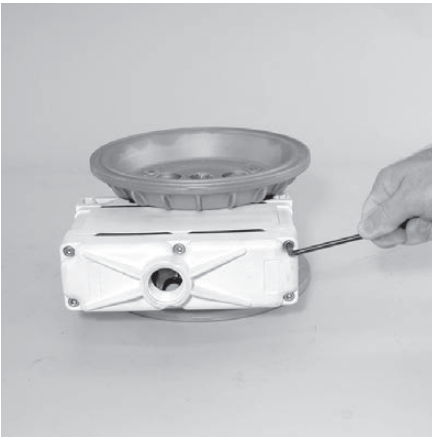
Step 7

Using an O-ring pick, gently remove the O-ring from the opposite side of the notched end on one side of the pilot spool. Gently remove the pilot spool from pilot spool sleeve and inspect for nicks, gouges and wear. Replace pilot sleeve or outer sleeve O-rings if necessary. During reassembly, never insert the pilot spool into the sleeve with the notched end first, this end incorporates the urethane O-ring and will be damaged as it slides over the ports cut in the sleeve. **NOTE:** Seals should not be removed from pilot spool. Seals are not sold separately.

Step 8

Inspect center section seals for signs of wear. If necessary, remove seals with O-ring pick and replace.

PRO-FLO X™ AIR DISTRIBUTION SYSTEM (ADS) DISASSEMBLY



Step 1. *Figure 1*

Loosen the air valve bolts using a 3/16" hex wrench.



Step 2. *Figure 2*

Remove air valve bolts, muffer plate, and air valve assembly exposing muffer gasket and air valve gasket. Replace if necessary.



Step 3. *Figure 3*

Remove air valve end cap to expose the large end of air valve spool by simply lifting up on the air valve end cap once the bolts have been removed.



Step 4. *Figure 4*

Remove air valve spool from air valve body by threading one air valve bolt into the end of the spool and gently sliding the spool out of the air valve body. Inspect seals for signs of wear and replace entire assembly if necessary. Use caution when handling air valve spool to prevent damaging seals.

NOTE: Seals should not be removed from assembly. Seals are not sold separately.



Step 5. *Figure 5*

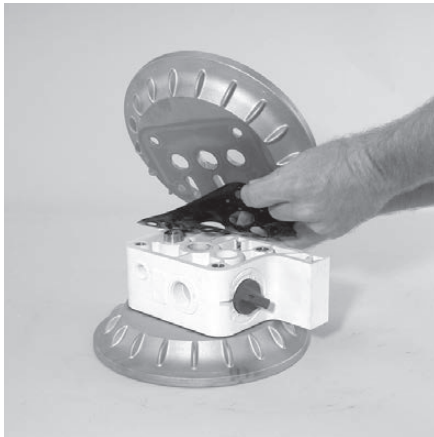
Remove pilot spool retaining snap ring on both sides of the center section using snap ring pliers.



Step 6-6A. *Figure 6*

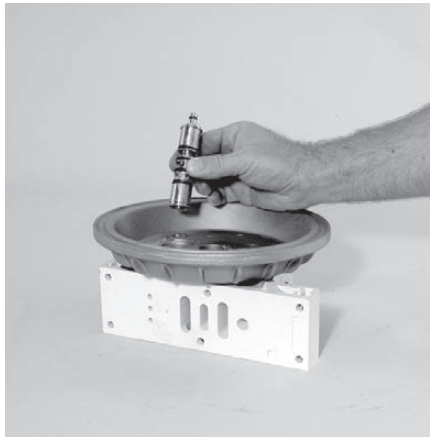
Remove the air chamber bolts using a 1/4" hex wrench.

PRO-FLO X™ AIR DISTRIBUTION SYSTEM (ADS) DISASSEMBLY



Step 7. *Figure 7*

Remove the air chamber and inspect the two (2) air chamber gaskets. Replace if necessary.



Step 8. *Figure 8*

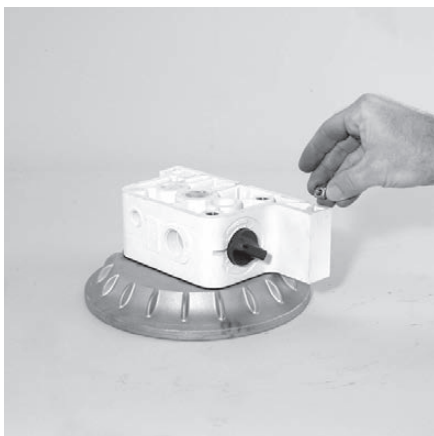
Remove the pilot spool from the center section.



Step 9. *Figure 9*

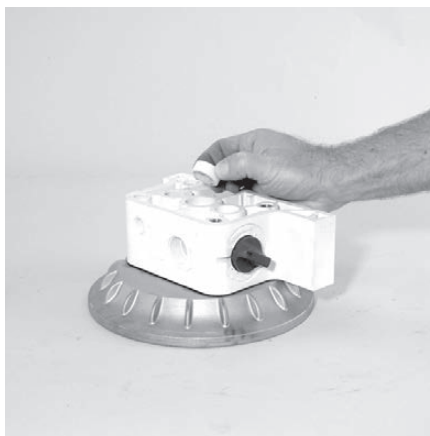
With O-ring pick, gently remove the O-ring from the opposite side of the center hole cut on the spool. Gently remove the pilot spool from sleeve and inspect for nicks or gouges and other signs of wear. Replace pilot sleeve assembly or outer sleeve O-rings if necessary. During reassembly never insert the pilot spool into the sleeve with the center cut side first, this end incorporates the urethane O-ring and will be damaged as it slides over the ports cut in the sleeve.

NOTE: Seals should not be removed from pilot spool. Seals are not sold separately.



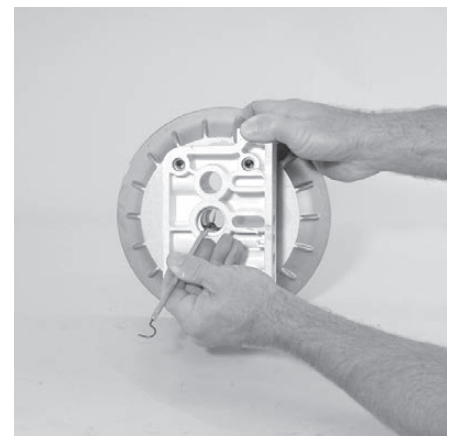
Step 10. *Figure 10*

Once the air chambers have been removed, the six (6) square air valve nuts may be removed or replaced if necessary.



Step 11. *Figure 11*

Remove and inspect the two (2) shaft bushings. Replace if necessary.



Step 12. *Figure 12*

Inspect center block Glyd™ rings two (2) for wear. If replacement is necessary, use an O-ring pick to remove the used Glyd™ rings then replace with genuine Wilden replacement parts.

REASSEMBLY HINTS & TIPS

ASSEMBLY:

Upon performing applicable maintenance to the air distribution system, the pump can now be reassembled. Please refer to the disassembly instructions for photos and parts placement. To reassemble the pump, follow the disassembly instructions in reverse order. The air distribution system needs to be assembled first, then the diaphragms and finally the wetted path. Please find the applicable torque specifications on this page. The following tips will assist in the assembly process.

- Lubricate air valve bore, center section shaft and pilot spool bore with NLGI grade 2 white EP bearing grease or equivalent.
- Clean the inside of the center section shaft bore to ensure no damage is done to new seals.
- A small amount of NLGI grade 2 white EP bearing grease can be applied to the muffler and air valve gaskets to locate gaskets during assembly.
- Make sure that the exhaust port on the muffler plate is centered between the two exhaust ports on the center section.
- Stainless bolts should be lubed to reduce the possibility of seizing during tightening.
- Use a mallet to tamp lightly on the large clamp bands to seat the diaphragm before tightening.

PRO-FLO® MAXIMUM TORQUE SPECIFICATIONS

Description of Part	Torque
Pro-Flo® Air Valve Bolts	P800 5.1 N•m (45 in-lb) / PX800 5.1 N•m (45 in-lb)
Air Chamber to Center Block	27.1 N•m (20 ft-lb)
Outer Piston, Ultra-Flex™	47.5 N•m (35 ft-lb)
Outer Piston, Rubber & TPE	81.3 N•m (60 ft-lb)
Manifold to Liquid Chamber	44.7 N•m (33 ft-lb)
Liquid Chamber to Air Chamber	44.7 N•m (33 ft-lb)

SHAFT SEAL INSTALLATION:

PRE-INSTALLATION

- Once all of the old seals have been removed, the inside of the groove should be cleaned to ensure no debris is left that may cause premature damage to the new seals.

INSTALLATION

The following tools can be used to aid in the installation of the new seals:

Needle-Nose Pliers
Phillips Screwdriver
Electrical Tape

- Wrap electrical tape around each leg of the needle-nose pliers (heat shrink tubing may also be used). This is done to prevent damaging the inside surface of the new seal.
- With a new seal in hand, place the two legs of the needle-nose pliers inside the seal ring. (See Figure A.)
- Open the pliers as wide as the seal diameter will allow, then with two fingers pull down on the top portion of the seal to form kidney-bean shape. (See Figure B.)
- Lightly clamp the pliers together to hold the seal into the kidney shape. Be sure to pull the seal into as tight of a kidney shape as possible, this will allow the seal to travel down the bushing bore easier.
- With the seal clamped in the pliers, insert the seal into the bushing bore and position the bottom of the seal into the correct groove. Once the bottom of the seal is seated in the groove, release the clamp pressure on the pliers. This will allow the seal to partially snap back to its original shape.
- After the pliers are removed, you will notice a slight bump in the seal shape. Before the seal can be properly resized, the bump in the seal should be removed as much as possible. This can be done with either the Phillips screwdriver or your finger. With either the side of the screwdriver or your finger, apply light pressure to the peak of the bump. This pressure will cause the bump to be almost completely eliminated.
- Lubricate the edge of the shaft with NLGI grade 2 white EP bearing grease.
- Slowly insert the center shaft with a rotating motion. This will complete the resizing of the seal.
- Perform these steps for the remaining seal.

Figure A

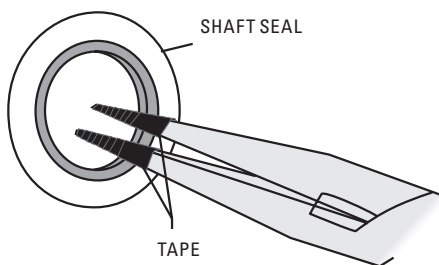
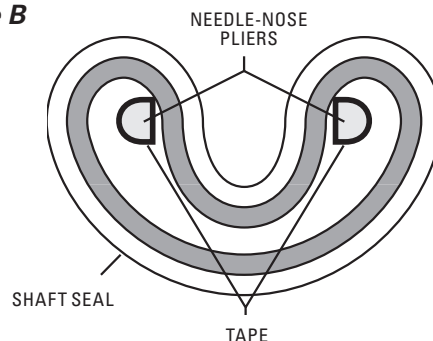


Figure B



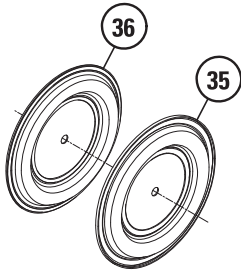
NOTES

EXPLODED VIEW AND PARTS LISTING

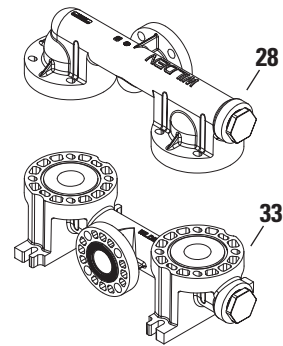
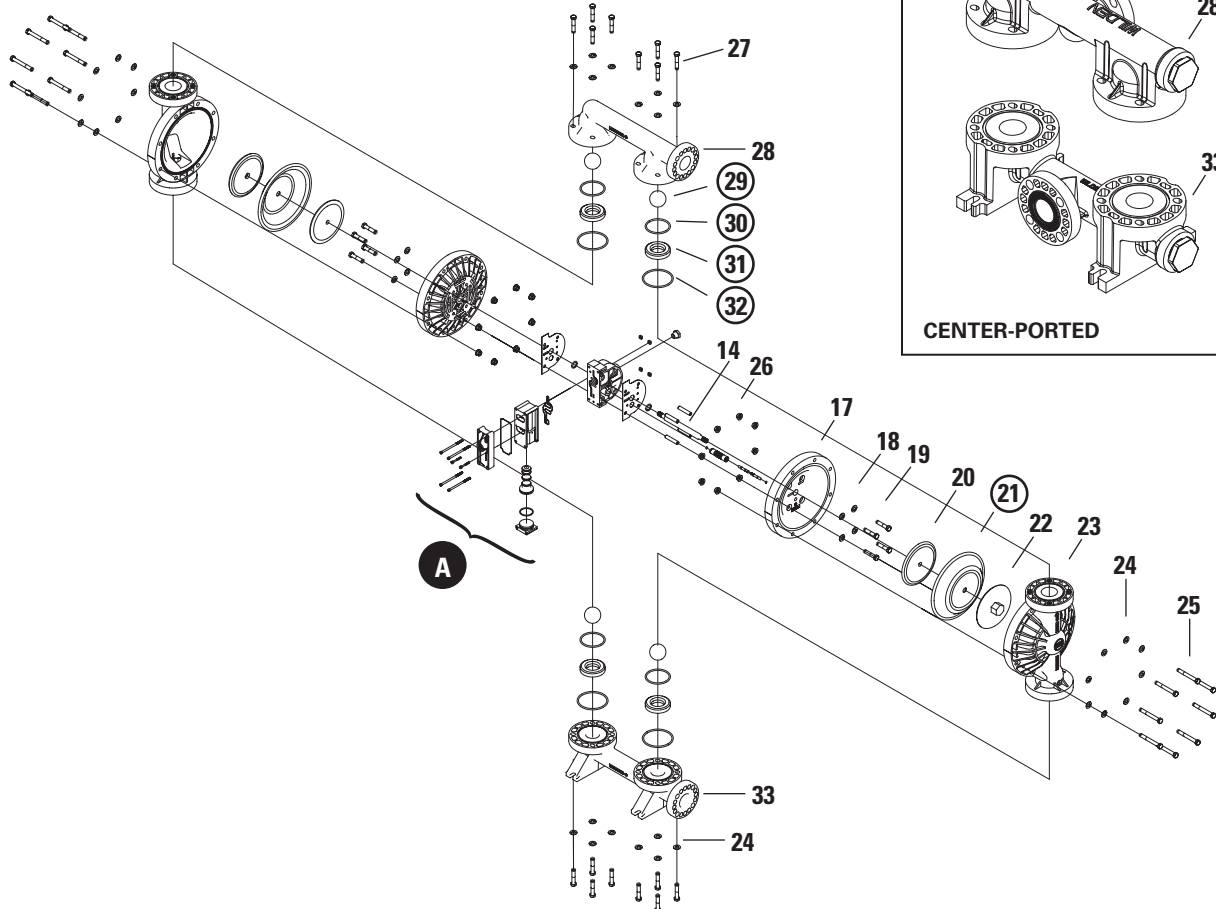
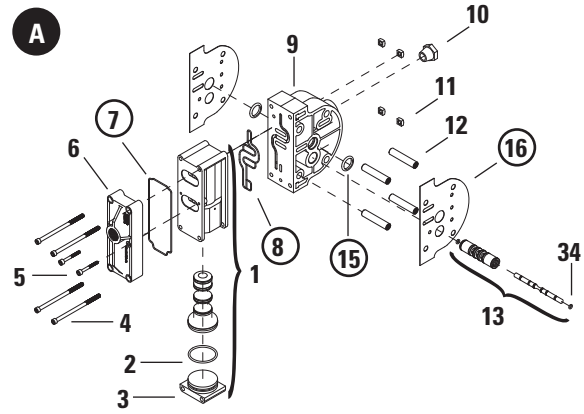
P800 PLASTIC

Full-Stroke Diaphragm-Fitted

EXPLODED VIEW



FULL-STROKE PTFE-FITTED



CENTER-PORTED

ALL CIRCLED PART IDENTIFIERS ARE INCLUDED IN REPAIR KITS (see Section 9).

EXPLODED VIEW AND PARTS LISTING

P800 PLASTIC

Full-Stroke Diaphragm-Fitted

PARTS LISTING

No.	Part Description	Qty.	P800/PKPPP P/N	P800/KKPPP P/N	P800/PKPPP-0502 P/N	P800/KKPPP-0502 P/N
1	Pro-Flo® Air Valve Assembly¹	1	04-2000-20-700	04-2000-20-700	04-2000-20-700	04-2000-20-700
2	O-Ring (-225), End Cap (1.859" x .139")	1	04-2390-52-700	04-2390-52-700	04-2390-52-700	04-2390-52-700
3	End Cap, Pro-Flo®	1	04-2330-20-700	04-2330-20-700	04-2330-20-700	04-2330-20-700
4	Screw, SHC, 1/4-20x4.5"	4	01-6000-03	01-6000-03	01-6000-05	01-6000-05
5	Screw, SHCS, 10-16 x 1.75	2	04-6351-03	04-6351-03	04-6351-03	04-6351-03
6	Muffler Plate, Pro-Flo®	1	04-3180-20-700	04-3180-20-700	04-3180-20-700	04-3180-20-700
7	Gasket, Muffler Plate	1	04-3500-52-700	04-3500-52-700	04-3500-52-700	04-3500-52-700
8	Gasket, Air Valve	1	04-2600-52-700	04-2600-52-700	04-2600-52-700	04-2600-52-700
9	Center Block	1	04-3110-20	04-3110-20	04-3110-20	04-3110-20
10	Bushing, Reducer	1	04-6950-20-700	04-6950-20-700	04-6950-20-700	04-6950-20-700
11	Nut, Square, 1/4"-20	4	00-6505-03	00-6505-03	00-6505-05	00-6505-05
12	Sleeve, Threaded, Pro-Flo® Center Block	4	04-7710-08	04-7710-08	04-7710-08	04-7710-08
13	Removable Pilot Sleeve Assembly	1	04-3882-99	04-3882-99	04-3882-99	04-3882-99
14	Shaft, Rubber/TPE	1	08-3811-09	08-3811-09	08-3811-09	08-3811-09
15	Glyd™ Ring	2	08-3210-55-225	08-3210-55-225	08-3210-55-225	08-3210-55-225
16	Gasket, Center Block, Pro-Flo®	2	04-3526-52	04-3526-52	04-3526-52	04-3526-52
17	Air Chamber, Pro-Flo®	2	08-3681-20	08-3681-20	08-3681-20	08-3681-20
18	Washer, Flat 3/8 x 13/32	8	04-6741-03	04-6741-03	04-6741-03	04-6741-03
19	Screw, HHC, 3/8"-16 x 1-1/4"	8	04-6190-03	04-6190-03	04-6190-03	04-6190-03
20	Inner Piston	2	08-3700-01	08-3700-01	08-3700-01	08-3700-01
21	Diaphragm	2	*	*	*	*
22	Outer Piston	2	08-4550-21-500	08-4550-21-500	08-4550-21-500	08-4550-21-500
23	Liquid Chamber	2	08-5005-20	08-5005-21	08-5005-20	08-5005-21
24	Washer, Plain	32	04-6730-03	04-6730-03	04-6730-05	04-6730-05
25	Screw, HHC 1/2-13 x 4.00	16	08-6198-03	08-6198-03	08-6191-05	08-6191-05
26	Nut, Hex Flange 1/2-13	16	08-6435-03	08-6435-03	08-6435-05	08-6435-05
27	Screw, HHC 1/2-13 x 2.00	16	04-6210-03	04-6210-03	08-6181-05	08-6181-05
28	Manifold, Discharge ANSI, Side-Ported	1	08-5030-20	08-5030-21	08-5030-20	08-5030-21
	Manifold, Discharge DIN, Side Ported		08-5031-20	08-5031-21	08-5031-20	08-5031-21
	Manifold, Discharge, Center-Ported, Combo	1	08-5030-20-690	08-5030-21-690	08-5030-20-690	08-5030-21-690
29	Valve Ball	4	*	*	*	*
30	Valve Seat O-Ring (3.475" x .210")	4	*	*	*	*
31	Valve Seat	4	08-1125-20	08-1125-21	08-1125-20	08-1125-21
32	Manifold O-ring (4.350"x.210")	4	*	*	*	*
33	Manifold, Inlet ANSI, Side-Ported	1	08-5090-20	08-5090-21	08-5090-20	08-5090-21
	Manifold, Inlet DIN, Side Ported		08-5091-20	08-5091-21	08-5091-20	08-5091-21
	Manifold, Inlet, Center-Ported, Combo	1	08-5090-20-690	08-5090-21-690	08-5090-20-690	08-5090-21-690
34	Pilot Spool Retaining O-Ring	2	04-2650-49-700	04-2650-49-700	04-2650-49-700	04-2650-49-700
35	Diaphragm, Full Stroke PTFE, Primary	2	08-1040-55-42	08-1040-55-42	08-1040-55-42	08-1040-55-42
36	Diaphragm, Full Stroke PTFE, Back-Up	2	08-1065-57	08-1065-57	08-1065-57	08-1065-57

*Refer to Elastometer Chart

¹Air Valve Assembly includes items 2 and 3

0502 Specialty Code = PFA-Coated Hardware

0504 Specialty Code = DIN Flange

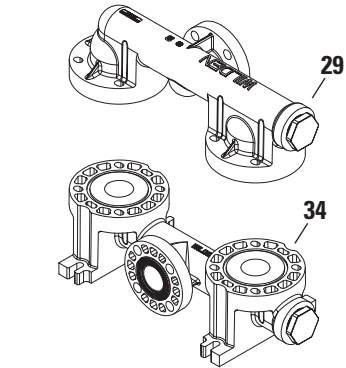
All boldface items are primary wear parts.

EXPLODED VIEW AND PARTS LISTING

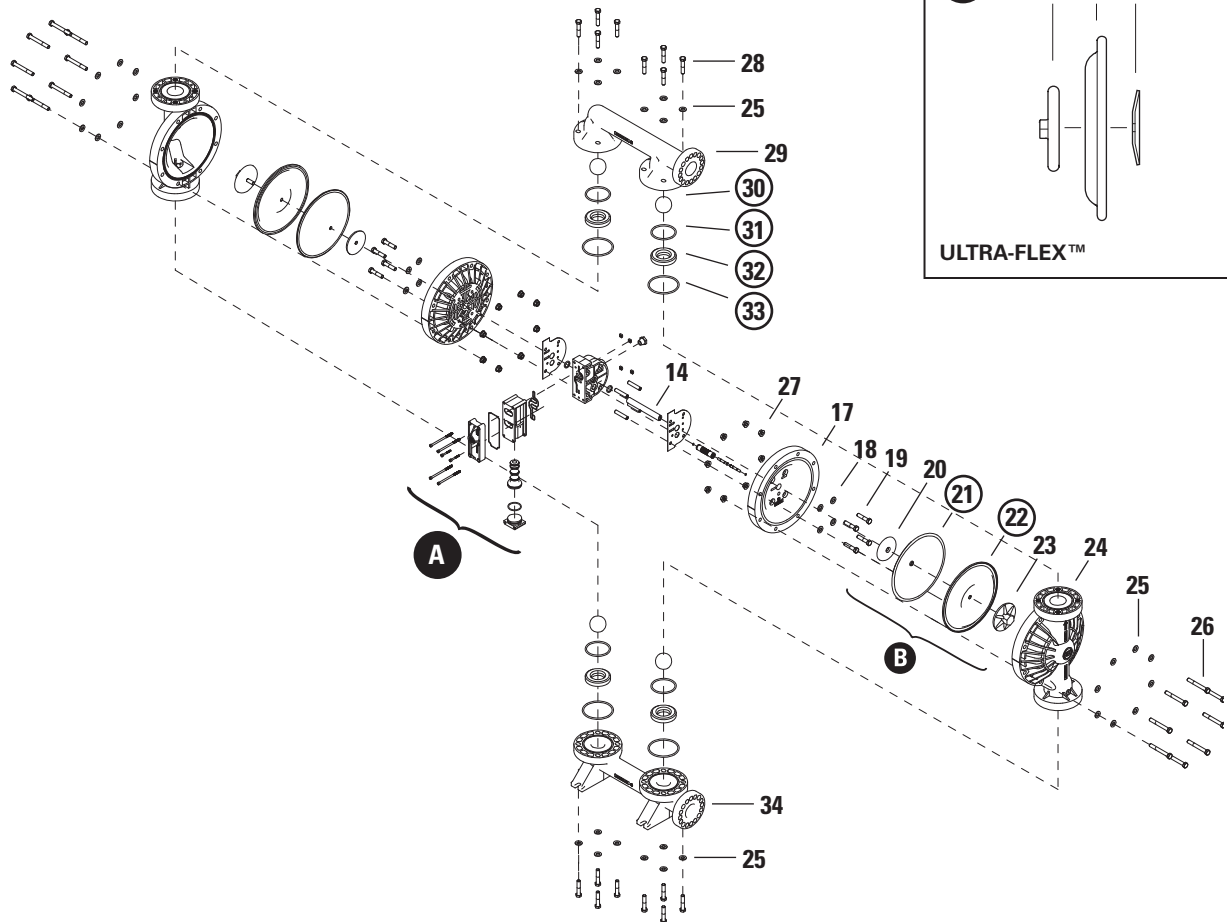
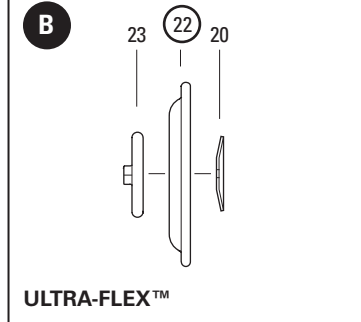
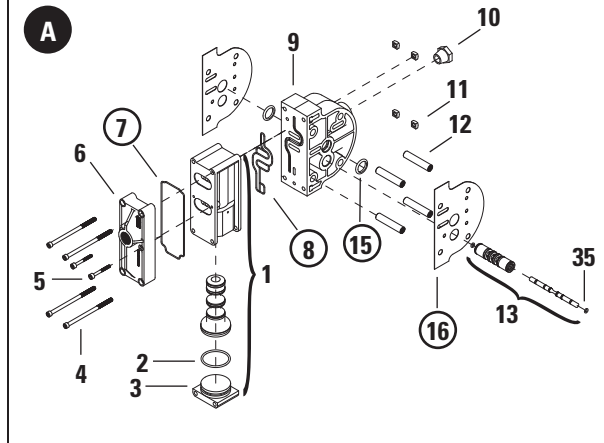
P800 PLASTIC

Reduced-Stroke Diaphragm-Fitted

EXPLODED VIEW



CENTER-PORTED



EXPLODED VIEW AND PARTS LISTING

P800 PLASTIC | **Reduced-Stroke Diaphragm-Fitted** | **PARTS LISTING**

No.	Part Description	Qty.	P800/PKPPP P/N	P800/KKPPP P/N	P800/PKPPP-0502 P/N	P800/KKPPP-0502 P/N
1	Pro-Flo® Air Valve Assembly¹	1	04-2000-20-700	04-2000-20-700	04-2000-20-700	04-2000-20-700
2	O-Ring (-225), End Cap (1.859" x .139")	1	04-2390-52-700	04-2390-52-700	04-2390-52-700	04-2390-52-700
3	End Cap, Pro-Flo®	1	04-2330-20-700	04-2330-20-700	04-2330-20-700	04-2330-20-700
4	Screw, HHC, 1/4-20x4.5"	4	01-6000-03	01-6000-03	01-6000-05	01-6000-05
5	Screw, SHCS, 10-16 x 1.75"	2	04-6351-03	04-6351-03	04-6351-05	04-6351-05
6	Muffler Plate, Pro-Flo®	1	04-3180-20-700	04-3180-20-700	04-3180-20-700	04-3180-20-700
7	Gasket, Muffler Plate	1	04-3500-52-700	04-3500-52-700	04-3500-52-700	04-3500-52-700
8	Gasket, Air Valve	1	04-2600-52-700	04-2600-52-700	04-2600-52-700	04-2600-52-700
9	Center Block	1	04-3110-20	04-3110-20	04-3100-20	04-3110-20
10	Bushing, Reducer	1	04-6950-20-700	04-6950-20-700	04-6950-20-700	04-6950-20-700
11	Nut, Hex, 1/4"-20	4	00-6505-03	00-6505-03	00-6505-05	00-6505-05
12	Sleeve, Threaded, Pro-Flo® Center Block	4	04-7710-03	04-7710-03	04-7710-03	04-7710-03
13	Removable Pilot Sleeve Assembly	1	04-3882-99	04-3882-99	04-3882-99	04-3882-99
14	Shaft, PTFE	1	08-3842-03	08-3842-03	08-3842-03	08-3842-03
	Shaft, Ultra-Flex™	1	08-3843-03	08-3843-03	08-3843-03	08-3843-03
15	Glyd™ Ring	2	08-3210-55-225	08-3210-55-225	08-3210-55-225	08-3210-55-225
16	Gasket, Center Block, Pro-Flo®	2	04-3526-52	04-3526-52	04-3526-52	04-3526-52
17	Air Chamber, Pro-Flo®	2	08-3681-20	08-3681-20	08-3681-20	08-3681-20
18	Washer, flat 3/8 x 13/32	8	04-6741-03	04-6741-03	04-6741-03	04-6741-03
19	Screw, HHC, 3/8"-16 x 1-1/4"	8	04-6190-03	04-6190-03	04-6190-03	04-6190-03
20	Inner Piston	2	08-3750-01	08-3750-01	08-3750-01	08-3750-01
	Inner Piston, Ultra-Flex®	2	08-3761-01	08-3761-01	08-3761-01	08-3761-01
21	Diaphragm, Back-up	2	08-1060-51	08-1060-51	08-1060-51	08-1060-51
	Outer Piston, Ultra-Flex™	2	08-4560-21	08-4560-21	08-4560-21	08-4560-21
22	Diaphragm, PTFE Primary	2	08-1010-55	08-1010-55	08-1010-55	08-1010-55
	Diaphragm, Ultra-Flex™	2	*	*	*	*
23	Outer Piston	2	08-4600-21-500	08-4600-21-500	08-4600-21-500	08-4600-21-500
	Outer Piston, Ultra-Flex™	2	08-4560-21	08-4560-21	08-4560-21	08-4560-21
24	Liquid Chamber	2	08-5005-20	08-5005-21	08-5005-20	08-5005-21
25	Washer, Plain	32	04-6730-03	04-6730-03	04-6730-05	04-6730-05
26	Screw, HHC, 1/2-13 x 4.00	16	08-6198-03	08-6198-03	08-6191-05	08-6191-05
27	Nut, Hex Flange 1/2-13	16	08-6435-03	08-6435-03	08-6435-05	08-6435-05
28	Screw, HHC, 1/2-13 x 2	16	04-6210-03	04-6210-03	08-6181-05	08-6181-05
29	Manifold, Discharge ANSI, Side-Ported	1	08-5030-20	08-5030-21	08-5030-20	08-5030-21
	Manifold, Discharge DIN, Side-Ported	1	08-5031-20	08-5031-21	08-5031-20	08-5031-21
	Manifold, Discharge, Center-Ported, Combo	1	08-5030-20-690	08-5030-21-690	08-5030-20-690	08-5030-21-690
30	Valve Ball	4	08-1080-55	08-1080-55	08-1080-55	08-1080-55
31	Valve Seat, O-Ring (3.475" x .210")	4	08-1205-60	08-1205-60	08-1205-60	08-1205-60
32	Valve Seat	4	08-1125-20	08-1125-21	08-1125-20	08-1125-21
33	Manifold O-Ring (4.350" x .210")	4	08-1371-60	08-1371-60	08-1371-60	08-1371-60
34	Manifold, Inlet ANSI, Side-Ported	1	08-5090-20	08-5090-21	08-5090-20	08-5090-21
	Manifold, Inlet DIN, Side-Ported	1	08-5091-20	08-5010-21	08-5091-20	08-5010-21
	Manifold, Inlet, Center-Ported, Combo	1	08-5090-20-690	08-5090-21-690	08-5090-20-690	08-5090-21-690
35	Pilot Spool Retaining O-Ring	2	04-2650-49-700	04-2650-49-700	04-2650-49-700	04-2650-49-700

*Refer to Elastometer Chart

¹Air Valve Assembly includes item numbers 2 and 3

0502 Specialty Code = PFA-Coated Hardware

0504 Specialty Code = DIN Flange

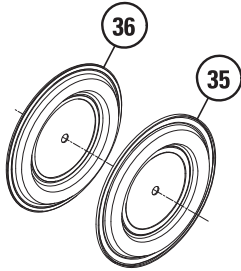
All boldface items are primary wear parts.

EXPLODED VIEW AND PARTS LISTING

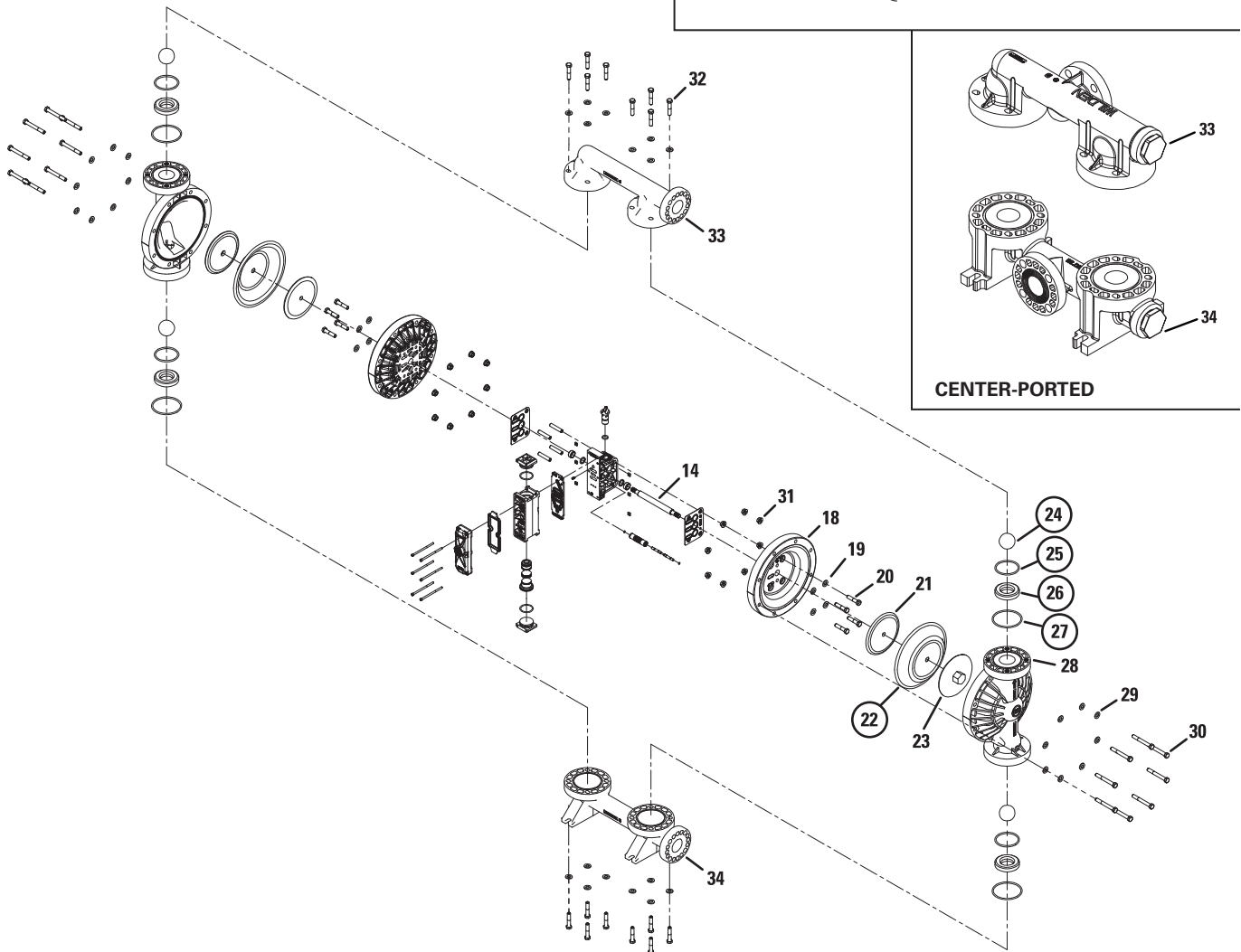
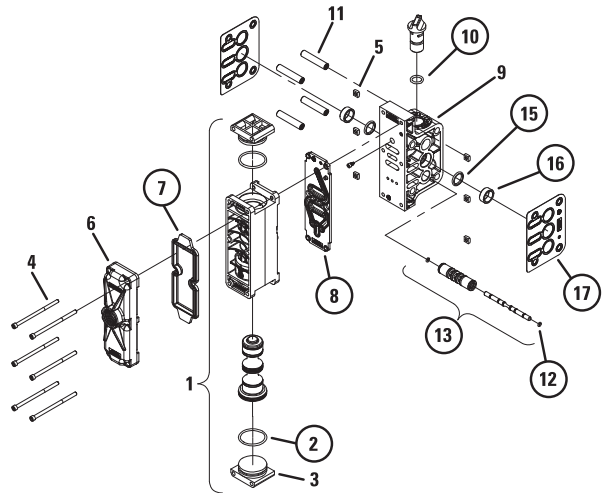
PX800 PLASTIC

Full-Stroke Diaphragm-Fitted

EXPLODED VIEW



FULL-STROKE PTFE-FITTED



CENTER-PORTED

ALL CIRCLED PART IDENTIFIERS ARE INCLUDED IN REPAIR KITS (see Section 9).



EXPLODED VIEW AND PARTS LISTING

PX800 PLASTIC Full-Stroke Diaphragm-Fitted PARTS LISTING

Item	Description	Qty.	PX800/PKPPP P/N	PX800/KKPPP P/N	PX800/PKPPP/ 0502 P/N	PX800/KKPPP 0502 P/N
1	Pro-Flo X™ Assembly, Air Valve ¹	1	08-2030-20	08-2030-20	08-2030-20	08-2030-20
2	O-Ring (-225), End Cap (Ø1.859" x Ø.139")	2	04-2390-52-700	04-2390-52-700	04-2390-52-700	04-2390-52-700
3	End Cap	2	04-2330-20-700	04-2330-20-700	04-2330-20-700	04-2330-20-700
4	Screw, SHC, Air Valve (1/4"-20 x 4-1/2")	6	01-6000-03	01-6000-03	01-6000-05	01-6000-05
5	Nut, Square (1/4"-20)	6	00-6505-03	00-6505-03	00-6505-05	00-6505-05
6	Muffler Plate, Pro-Flo X™	1	08-3185-20	08-3185-20	08-3185-20	08-3185-20
7	Gasket, Muffler Plate, Pro-Flo X™	1	08-3502-52	08-3502-52	08-3502-52	08-3502-52
8	Gasket, Air Valve, Pro-Flo X™	1	08-2620-52	08-2620-52	08-2620-52	08-2620-52
9	Center Block Assembly, Pro-Flo X™ ²	1	08-3126-20	08-3126-20	08-3126-20	08-3126-20
10	O-Ring (-210), Adjuster (Ø.734" x Ø.139")	1	02-3200-52	02-3200-52	02-3200-52	02-3200-52
11	Sleeve, Threaded, Center Block	4	04-7710-08	04-7710-08	04-7710-08	04-7710-08
12	Pilot Spool Retaining O-Ring (Ø.204" x Ø.070")	2	04-2650-49-700	04-2650-49-700	04-2650-49-700	04-2650-49-700
13	Removable Pilot Sleeve Assembly	1	04-3882-99	04-3882-99	04-3882-99	04-3882-99
14	Shaft Pro-Flo® Rubber Advanced	1	08-3811-09	08-3811-09	08-3811-09	08-3811-09
15	Shaft Seal	2	08-3210-55-225	08-3210-55-225	08-3210-55-225	08-3210-55-225
16	Shaft Bushing	2	08-3306-13	08-3306-13	08-3306-13	08-3306-13
17	Gasket, Center Block Pro-Flo V™	2	04-3529-52	04-3529-52	04-3529-52	04-3529-52
18	Air Chamber, Pro-Flo V™	2	08-3690-20	08-3690-20	08-3690-20	08-3690-20
19	Washer, Flat (13/32" x 7/8")	8	04-6741-03	04-6741-03	04-6741-03	04-6741-03
20	Screw, HHC (3/8" - 16 x 1-1/4")	8	04-6190-03	04-6190-03	04-6190-03	04-6190-03
21	Inner Piston	2	08-3700-01	08-3700-01	08-3700-01	08-3700-01
22	Diaphragm	2	*	*	*	*
23	Outer Piston	2	08-4550-21-500	08-4550-21-500	08-4550-21-500	08-4550-21-500
24	Valve Ball	4	*	*	*	*
25	Valve Seat O-Ring (Ø3.475" x Ø.210")	4	*	*	*	*
26	Valve Seat	4	08-1125-20	08-1125-21	08-1125-20	08-1125-21
27	Manifold O-Ring (Ø4.350" x Ø.210")	4	*	*	*	*
28	Liquid Chamber	2	08-5005-20	08-5005-21	08-5005-20	08-5005-21
29	Washer, Plain (17/32" x 1 1/16")	32	04-6730-03	04-6730-03	04-6730-05	04-6730-05
30	Screw, HHC (1/2" - 13 x 4.00")	16	08-6198-03	08-6198-03	08-6191-05	08-6191-05
31	Nut, Hex Flange (1/2" - 13)	16	08-6435-03	08-6435-03	08-6435-05	08-6435-05
32	Screw, HHC (1/2" - 13 x 2.00")	16	04-6210-03	04-6210-03	04-6210-05	04-6210-05
33	Manifold, Discharge, ANSI, Side-Ported	1	08-5030-20	08-5030-21	08-5030-20	08-5030-21
	Manifold, Discharge, DIN, Side-Ported	1	08-5031-20	08-5031-21	08-5031-20	08-5031-21
	Manifold, Discharge, Center-Ported, Combo	1	08-5030-20-690	08-5030-21-690	08-5030-20-690	08-5030-21-690
34	Manifold, Inlet, ANSI, Side-Ported	1	08-5090-20	08-5090-21	08-5090-20	08-5090-21
	Manifold, Inlet, DIN, Side-Ported	1	08-5091-20	08-5091-21	08-5091-20	08-5091-21
	Manifold, Inlet, Center-Ported, Combo	1	08-5090-20-690	08-5090-21-690	08-5090-20-690	08-5090-21-690
35	Diaphragm, Full Stroke PTFE, Primary	2	08-1040-55-42	08-1040-55-42	08-1040-55-42	08-1040-55-42
36	Diaphragm, Full Stroke PTFE, Back-Up	2	08-1065-57	08-1065-57	08-1065-57	08-1065-57
	Muffler 1" (not Shown)	1	15-3514-99	15-3514-99	15-3514-99	15-3514-99

¹ Air Valve Assembly includes items 2 and 3

² Center Block Assembly includes items 10, 11, 15 and 16

0502 Specialty Code=PFA-Coated Hardware

0504 Specialty Code=DIN Flange

*Refer to Elastometer Chart

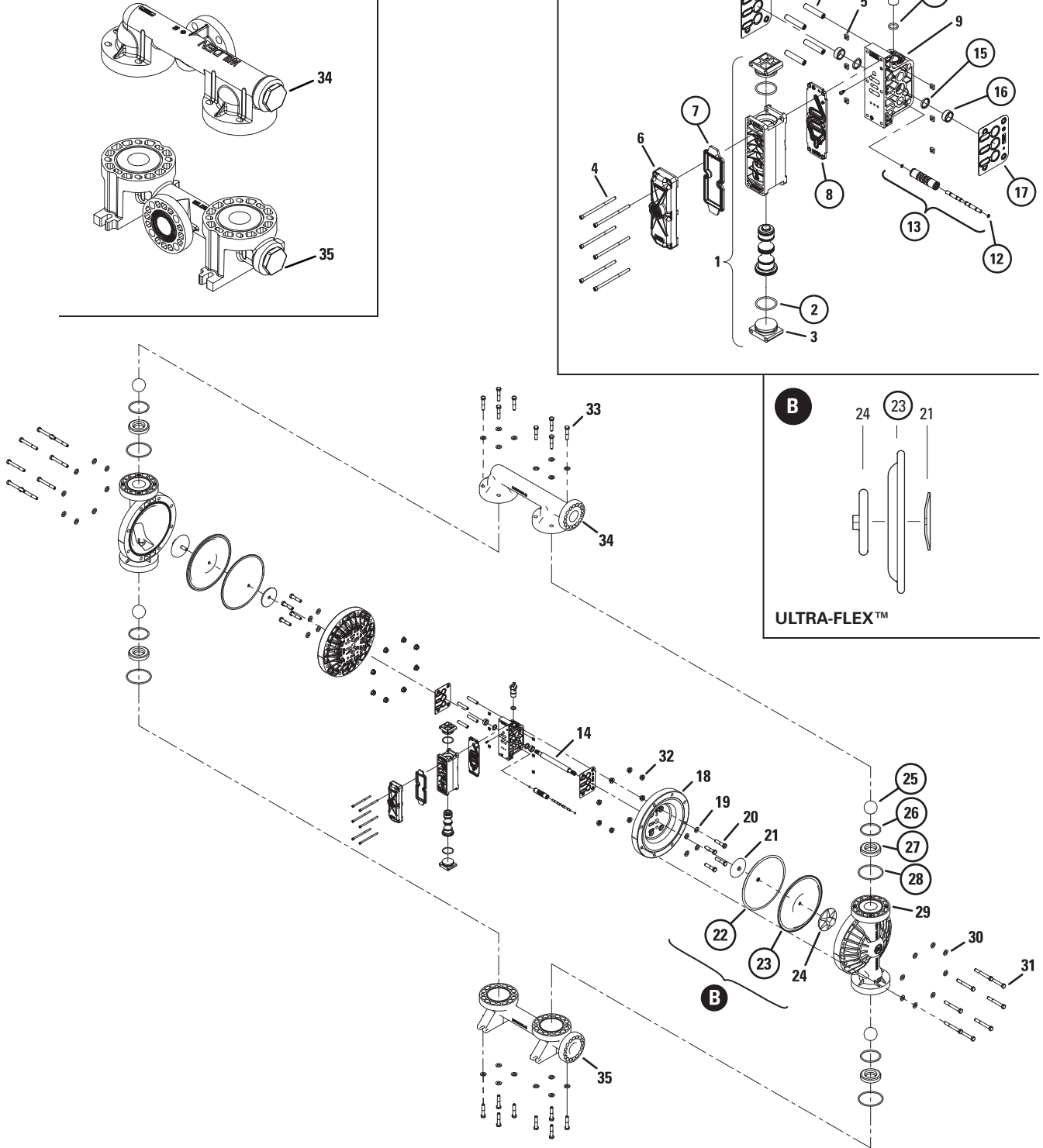
All boldface items are primary wear parts.

EXPLODED VIEW AND PARTS LISTING

PX800 PLASTIC

Reduced-Stroke Diaphragm-Fitted

EXPLODED VIEW



ALL CIRCLED PART IDENTIFIERS ARE INCLUDED IN REPAIR KITS (see Section 9).



EXPLODED VIEW AND PARTS LISTING

PX800 PLASTIC Reduced-Stroke Diaphragm-Fitted PARTS LISTING

Item	Description	Qty.	PX800/PKPPP P/N	PX800/KKPPP P/N	PX800/PKPPPP/0502 P/N	PX800/KKPPP/ 0502 P/N
1	Pro-Flo X™ Assembly, Air Valve ¹	1	08-2030-20	08-2030-20	08-2030-20	08-2030-20
2	O-Ring (-225), End Cap (Ø1.859" x Ø.139")	2	04-2390-52-700	04-2390-52-700	04-2390-52-700	04-2390-52-700
3	End Cap	2	04-2330-20-700	04-2330-20-700	04-2330-20-700	04-2330-20-700
4	Screw, SHC, Air Valve (1/4"-20 x 4-1/2")	6	01-6000-03	01-6000-03	01-6000-05	01-6000-05
5	Nut, Square (1/4"-20)	6	00-6505-03	00-6505-03	00-6505-05	00-6505-05
6	Muffler Plate, Pro-Flo X™	1	08-3185-20	08-3185-20	08-3185-20	08-3185-20
7	Gasket, Muffler Plate, Pro-Flo X™	1	08-3502-52	08-3502-52	08-3502-52	08-3502-52
8	Gasket, Air Valve, Pro-Flo X™	1	08-2620-52	08-2620-52	08-2620-52	08-2620-52
9	Center Block Assembly, Pro-Flo X™ ²	1	08-3126-20	08-3126-20	08-3126-20	08-3126-20
10	O-Ring (-210), Adjuster (Ø.734" x Ø.139")	1	02-3200-52	02-3200-52	02-3200-52	02-3200-52
11	Sleeve, Threaded, Center Block	4	04-7710-08	04-7710-08	04-7710-08	04-7710-08
12	Pilot Spool Retaining O-Ring (Ø.204" x Ø.070")	2	04-2650-49-700	04-2650-49-700	04-2650-49-700	04-2650-49-700
13	Removable Pilot Sleeve Assembly	1	04-3882-99	04-3882-99	04-3882-99	04-3882-99
14	Shaft Pro-Flo® PTFE Advanced	1	08-3842-03	08-3842-03	08-3842-03	08-3842-03
	Shaft, Ultra-Flex™ Advanced	1	08-3843-03	08-3843-03	08-3843-03	08-3843-03
15	Shaft Seal	2	08-3210-55-225	08-3210-55-225	08-3210-55-225	08-3210-55-225
16	Shaft Bushing	2	08-3306-13	08-3306-13	08-3306-13	08-3306-13
17	Gasket, Center Block Pro-Flo V™	2	04-3529-52	04-3529-52	04-3529-52	04-3529-52
18	Air Chamber, Pro-Flo V™	2	08-3690-20	08-3690-20	08-3690-20	08-3690-20
19	Washer, Flat (13/32" x 7/8")	8	04-6741-03	04-6741-03	04-6741-03	04-6741-03
20	Screw, HHC (3/8" - 16 x 1-1/4")	8	04-6190-03	04-6190-03	04-6190-03	04-6190-03
21	Inner Piston	2	08-3750-01	08-3750-01	08-3750-01	08-3750-01
	Inner Piston, Ultra-Flex™	2	08-3761-01	08-3761-01	08-3761-01	08-3761-01
22	Diaphragm, Back-up	2	08-1060-51	08-1060-51	08-1060-51	08-1060-51
23	Diaphragm	2	08-1010-55	08-1010-55	08-1010-55	08-1010-55
	Diaphragm, Ultra-Flex™	2	*	*	*	*
24	Outer Piston	2	08-4600-21-500	08-4600-21-500	08-4600-21-500	08-4600-21-500
	Outer Piston, Ultra-Flex™	2	08-4560-21	08-4560-21	08-4560-21	08-4560-21
25	Valve Ball	4	08-1080-55	08-1080-55	08-1080-55	08-1080-55
26	Valve Seat O-Ring (Ø3.475" x Ø.210")	4	08-1205-60	08-1205-60	08-1205-60	08-1205-60
27	Valve Seat	4	08-1125-20	08-1125-21	08-1125-20	08-1125-21
28	Manifold O-Ring (Ø4.350" x Ø.210")	4	08-1371-60	08-1371-60	08-1371-60	08-1371-60
29	Liquid Chamber	2	08-5005-20	08-5005-21	08-5005-20	08-5005-21
30	Washer, Plain (17/32" x 1 1/16")	32	04-6730-03	04-6730-03	04-6730-05	04-6730-05
31	Screw, HHC (1/2" - 13 x 4.00")	16	08-6198-03	08-6198-03	08-6191-05	08-6191-05
32	Nut, Hex Flange (1/2" - 13)	16	08-6435-03	08-6435-03	08-6435-05	08-6435-05
33	Screw, HHC (1/2" - 13 x 2.00")	16	04-6210-03	04-6210-03	04-6210-05	04-6210-05
34	Manifold, Discharge, ANSI, Side-Ported	1	08-5030-20	08-5030-21	08-5030-20	08-5030-21
	Manifold, Discharge, DIN, Side-Ported	1	08-5031-20	08-5031-21	08-5031-20	08-5031-21
	Manifold, Discharge, Center-Ported, Combo	1	08-5030-20-690	08-5030-21-690	08-5030-20-690	08-5030-21-690
35	Manifold, Inlet, ANSI, Side-Ported	1	08-5090-20	08-5090-21	08-5090-20	08-5090-21
	Manifold, Inlet, DIN, Side-Ported	1	08-5091-20	08-5091-21	08-5091-20	08-5091-21
	Manifold, Inlet, Center-Ported, Combo	1	08-5090-20-690	08-5090-21-690	08-5090-20-690	08-5090-21-690
	Muffler 1" (not Shown)	1	15-3514-99	15-3514-99	15-3514-99	15-3514-99

*Refer to Elastometer Chart

¹ Air Valve Assembly includes items 2 and 3

² Center Block Assembly includes items 10, 11, 15 and 16

0502 Specialty Code=PFA-Coated Hardware

0504 Specialty Code=DIN Flange

All boldface items are primary wear parts.

ELASTOMER OPTIONS

P800 and PX800 Plastic

MATERIAL	DIAPHRAGMS (2)	ULTRA-FLEX™ DIAPHRAGMS	REDUCED-STROKE BACK-UP DIAPHRAGMS	FULL-STROKE BACK-UP DIAPHRAGMS	VALVE BALLS (4)	VALVE SEAT (4)	VALVE SEAT O-RING (4)	MANIFOLD O-RING
Neoprene	08-1010-51	08-1020-51	08-1060-51	N/A	08-1080-51	N/A	N/A	N/A
Buna-N	08-1010-52	08-1020-52	N/A	N/A	08-1080-52	N/A	08-1205-52	08-1371-52
Viton®	08-1010-53	08-1020-53	N/A	N/A	08-1080-53	N/A	N/A	N/A
EPDM	08-1010-54	08-1020-54	N/A	N/A	08-1080-54	N/A	N/A	N/A
PTFE	08-1010-55	N/A	N/A	N/A	08-1080-55	N/A	N/A	N/A
Full Stroke PTFE	08-1040-55-42	N/A	N/A	N/A	N/A	N/A	N/A	N/A
PTFE Encap. (Viton®)	N/A	N/A	N/A	N/A	N/A	N/A	08-1205-60	08-1371-60
Polyurethane	08-1010-50	N/A	N/A	N/A	08-1080-50	N/A	N/A	N/A
Saniflex™	08-1010-56	N/A	08-1060-56	08-1065-56	08-1080-56	N/A	N/A	N/A
Wil-Flex™	08-1010-58	N/A	N/A	08-1065-57	08-1080-58	N/A	08-1205-58	08-1371-58
Polypropylene	N/A	N/A	N/A	N/A	N/A	08-1125-20	N/A	N/A
PVDF	N/A	N/A	N/A	N/A	N/A	08-1125-21	N/A	N/A

Back-up diaphragms used with PTFE diaphragms only.

PRO-FLO® PLASTIC

DESCRIPTION	NEOPRENE	BUNA-N	VITON®	EPDM	REDUCED-STROKE PTFE	WIL-FLEX™	SANIFLEX™	POLYURETHANE
Pro-Flo® Advanced™ Plastic	08-9553-51	08-9553-52	08-9553-53	08-9553-54	08-9553-55	08-9553-58	08-9553-56	08-9553-50

PRO-FLO X™ PLASTIC

DESCRIPTION	NEOPRENE	BUNA-N	VITON®	EPDM	REDUCED-STROKE PTFE	WIL-FLEX™	SANIFLEX™	POLYURETHANE
Pro-Flo X™ Advanced™ Plastic	08-9581-51	08-9581-52	08-9581-53	08-9581-54	08-9581-55	08-9581-58	08-9581-56	08-9581-50

NOTES

NOTES

WARRANTY

Each and every product manufactured by Wilden Pump and Engineering, LLC is built to meet the highest standards of quality. Every pump is functionally tested to insure integrity of operation.

Wilden Pump and Engineering, LLC warrants that pumps, accessories and parts manufactured or supplied by it to be free from defects in material and workmanship for a period of five (5) years from date of installation or six (6) years from date of manufacture, whichever comes first. Failure due to normal wear, misapplication, or abuse is, of course, excluded from this warranty.

Since the use of Wilden pumps and parts is beyond our control, we cannot guarantee the suitability of any pump or part for a particular application and Wilden Pump and Engineering, LLC shall not be liable for any consequential damage or expense arising from the use or misuse of its products on any application. Responsibility is limited solely to replacement or repair of defective Wilden pumps and parts.

All decisions as to the cause of failure are the sole determination of Wilden Pump and Engineering, LLC.

Prior approval must be obtained from Wilden for return of any items for warranty consideration and must be accompanied by the appropriate MSDS for the product(s) involved. A Return Goods Tag, obtained from an authorized Wilden distributor, must be included with the items which must be shipped freight prepaid.

The foregoing warranty is exclusive and in lieu of all other warranties expressed or implied (whether written or oral) including all implied warranties of merchantability and fitness for any particular purpose. No distributor or other person is authorized to assume any liability or obligation for Wilden Pump and Engineering, LLC other than expressly provided herein.

PLEASE PRINT OR TYPE AND FAX TO WILDEN

PUMP INFORMATION			
Item # _____		Serial # _____	
Company Where Purchased _____			
YOUR INFORMATION			
Company Name _____			
Industry _____			
Name _____		Title _____	
Street Address _____			
City _____	State _____	Postal Code _____	Country _____
Telephone _____	Fax _____	E-mail _____	Web Address _____
Number of pumps in facility? _____		Number of Wilden pumps? _____	
Types of pumps in facility (check all that apply): <input type="checkbox"/> Diaphragm <input type="checkbox"/> Centrifugal <input type="checkbox"/> Gear <input type="checkbox"/> Submersible <input type="checkbox"/> Lobe			
<input type="checkbox"/> Other _____			
Media being pumped? _____			
How did you hear of Wilden Pump? <input type="checkbox"/> Trade Journal <input type="checkbox"/> Trade Show <input type="checkbox"/> Internet/E-mail <input type="checkbox"/> Distributor		<input type="checkbox"/> Other _____	

ONCE COMPLETE, FAX TO (909) 783-3440

OR GO TO PSGDOVER.COM > WILDEN > SUPPORT TO COMPLETE THE WARRANTY REGISTRATION ONLINE

NOTE: WARRANTY VOID IF PAGE IS NOT FAXED TO WILDEN OR SUBMITTED ONLINE VIA THE PSGDOVER.COM WEBSITE

WILDEN PUMP & ENGINEERING, LLC

Where Innovation Flows



PSG reserves the right to modify the information and illustrations contained in this document without prior notice. This is a non-contractual document. 02-2017

WILDEN®

PSG

22069 Van Buren St., Grand Terrace, CA 92313-5607

P: +1 (909) 422-1730 • F: +1 (909) 783-3440

wildenpump.com

Authorized PSG Representative:

Copyright ©2017, PSG, A Dover Company