

# BARISH

PUMP COMPANY

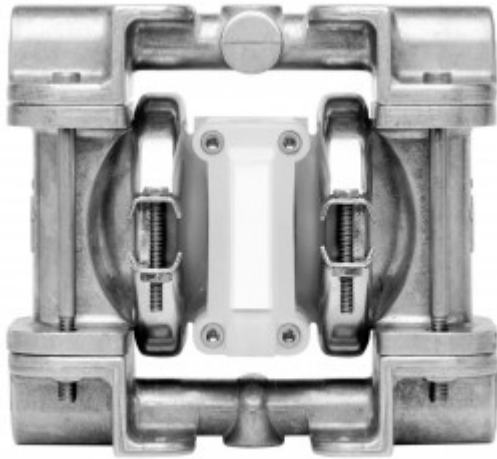
44 W Jefryn Blvd, Ste D  
Deer Park, NY 11729

Ph: (631) 752 - 7770 Fax: (631) 454 - 7867

E-mail: sales@barishpump.com

## 00-9893: 1/4" WILDEN PUMP, ALUMINUM/MILD STEEL/ WIL-FLEX

[Contact Us](#)



Manufacturer: Wilden Pump

Model: A.025P/AMPPP/WFS/TF/ATF/0151

Call For Availability:

44 W Jefryn Blvd, Ste D Deer Park, NY 11729 , Telephone: (631) 752 - 7770, Fax: (631) 454 - 7867