

# BARISH

PUMP COMPANY

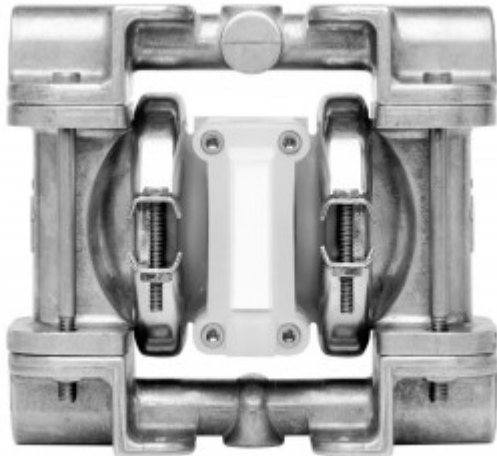
44 W Jefryn Blvd, Ste D  
Deer Park, NY 11729

Ph: (631) 752 - 7770 Fax: (631) 454 - 7867

E-mail: sales@barishpump.com

## 00-9730: 1/4" WILDEN PUMP, ALUMINUM/MILD STEEL/ BUNA-N

[Contact Us](#)



Manufacturer: Wilden Pump

Model: P.025/AMPPP/BNS/TF/ABN

Call For Availability:

44 W Jefryn Blvd, Ste D Deer Park, NY 11729 , Telephone: (631) 752 - 7770, Fax: (631) 454 - 7867